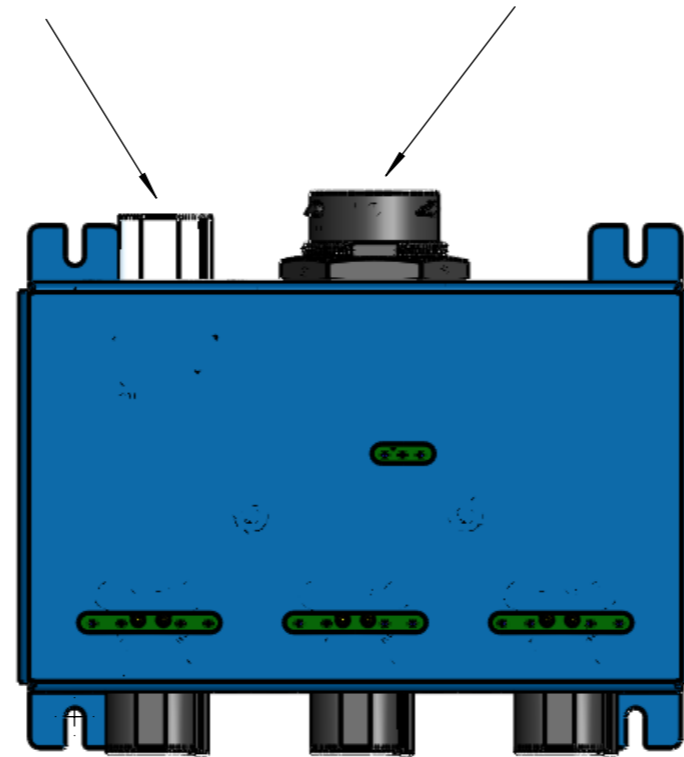
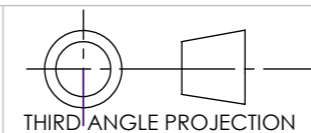


PIN	ID
1	POWER
3	GND
5	CAN HI
6	CAN LO

PIN	ID
1	CAN HI +5V
2	CAN LO
3	POWER +
4	POWER -
5	PGN SWITCHER
6	PGN SWITCHER



POWER OUTPUTS



SCALE: NONE

DO NOT SCALE DRAWING

REVISION 2.0

621 Technologies inc.

	NAME	SIGNATURE	DATE
DRAWN			
CHK'D	Alexandr belii	AB	
APPV'D	Dan Laton	DL	
MFG			
Q.A			

All data and drawing are sent without acknowledgement of a legal obligation, without guarantee of completeness and without promise of warranty. The data provided were ascertained using extreme care. However, possible sources of error cannot be excluded completely. We therefore do not accept any responsibility for damage and costs that may result from the use of these data. Binding data are to be taken exclusively from our drawings that are subject to confirmation. These contents are confidential and property of 621 inc., so it must not be copied or submitted to third parties for use or examination.

TITLE:		MOBILE POWER DISTRIBUTION UNIT	
DWG NO.			
MPDU-006		A3	
DIMENSIONS ARE IN INCHES UNLESS UNTIL SPECIFIED		SHEET 2 OF 2	