
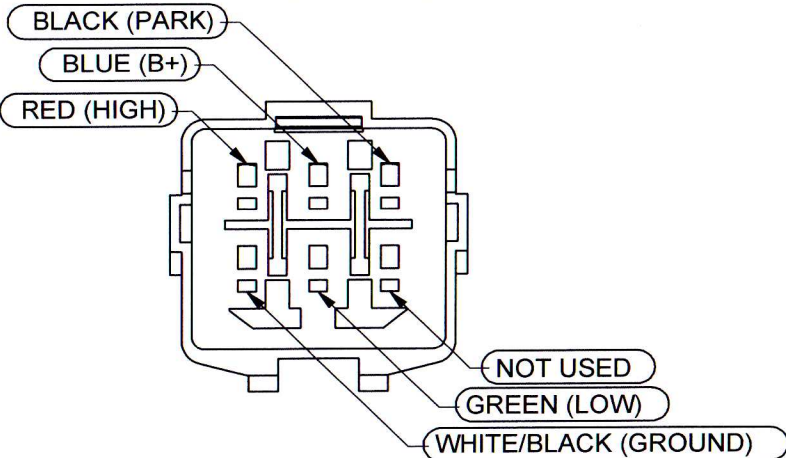


DETAIL A
NUT REMOVED FOR CLARITY

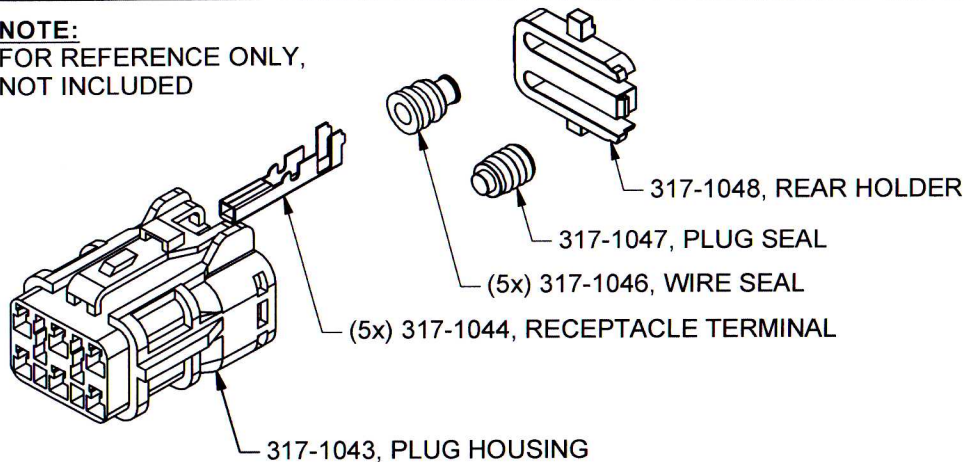
Dimensions are in:
MM [INCHES]

Project N/A	Designed by <i>ME</i> 5/26/2009	Checked by <i>RR</i> 3/31/2015	Approved by <i>AS</i> 3/31/2015	Material Specification N/A	Finish Specification N/A	
OVALS ARE FOR INCOMING INSPECTION CHECKING PROCESSES	UNLESS OTHERWISE SPECIFIED TOLERANCES IN INCHES MM 1 PLACE DEC. = N/A ±0.25 2 PLACE DEC. = ±0.01 ±0.13 3 PLACE DEC. = ±0.005 ±0.08 4 PLACE DEC. = ±0.0025 N/A ANGULAR DIM. = ±1° ±1° DO NOT SCALE DRAWING WORK TO GIVEN DIMENSIONS			 AM EQUIPMENT Jefferson, Oregon 97352 www.amequipment.com THIS DRAWING IS THE SOLE PROPERTY OF AM EQUIPMENT AND CANNOT BE REPRODUCED IN ANY WAY WITHOUT THE EXPRESS WRITTEN PERMISSION OF AM EQUIPMENT	Title/Name Motor, Wiper, 35Nm, 12V Dynamic Park, LH Housing	
	Part Number 235-1001		Revision 1 3/31/2015		Sheet 1 OF 3	

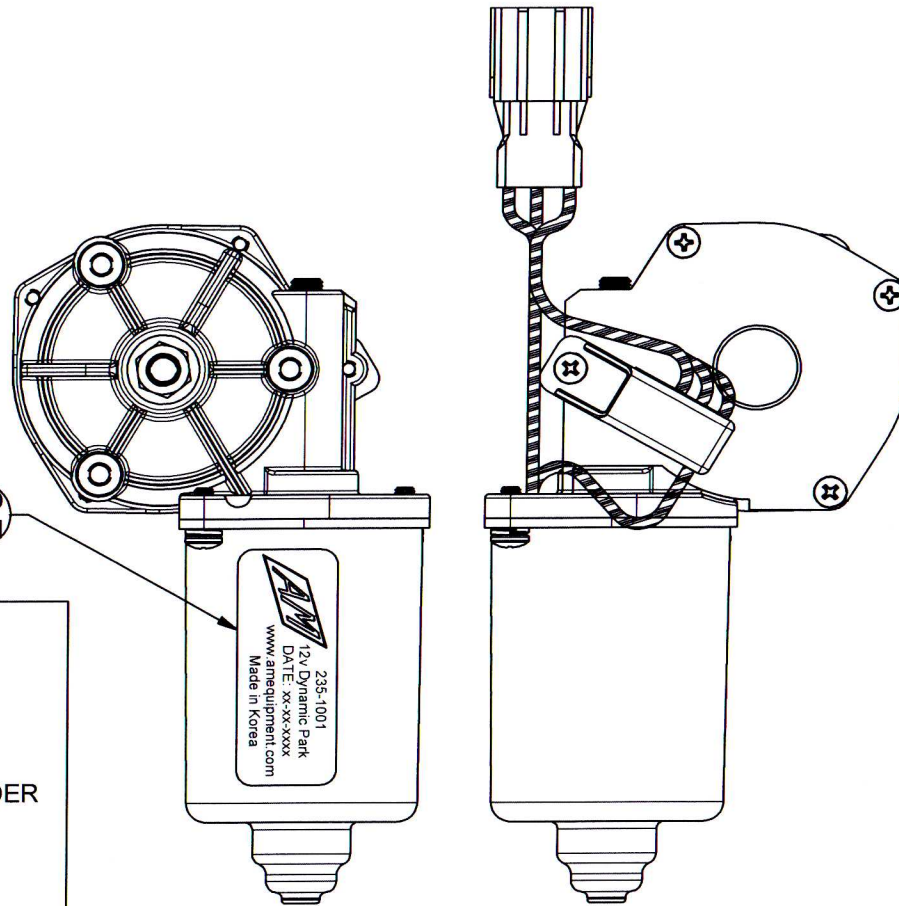


MATING CONNECTOR

NOTE:
 FOR REFERENCE ONLY,
 NOT INCLUDED



INSPECT LABEL AND LABEL ORIENTATION



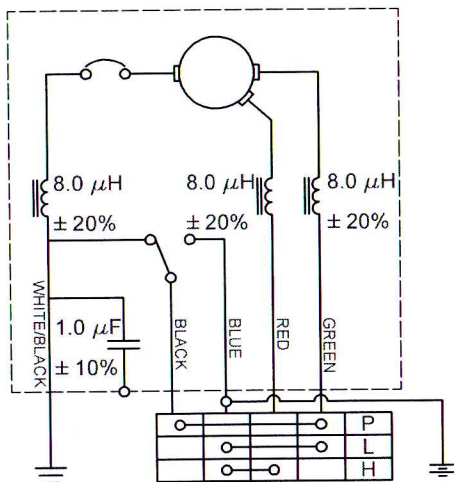
235-1001
 12V Dynamic Park
 DATE: xx-xx-xxxx
 www.amequipment.com
 Made in Korea

Dimensions are in.
 MM [INCHES]

Project N/A	Designed by ME	Checked by RR	Approved by AS	Material Specification N/A	Finish Specification N/A	
5/26/2009	3/31/2015	3/31/2015				
OVALS ARE FOR INCOMING INSPECTION CHECKING PROCESSES	UNLESS OTHERWISE SPECIFIED TOLERANCES IN INCHES MM 1 PLACE DEC. = N/A ±0.25 2 PLACE DEC. = ±0.01 ±0.13 3 PLACE DEC. = ±0.005 ±0.08 4 PLACE DEC. = ±0.0025 N/A ANGULAR DIM. = ±1° ±1° DO NOT SCALE DRAWING WORK TO GIVEN DIMENSIONS				AM EQUIPMENT Jefferson, Oregon 97352 www.amequipment.com	
	THIS DRAWING IS THE SOLE PROPERTY OF AM EQUIPMENT AND CANNOT BE REPRODUCED IN ANY WAY WITHOUT THE EXPRESS WRITTEN PERMISSION OF AM EQUIPMENT		Title/Name Motor, Wiper, 35Nm, 12V Dynamic Park, LH Housing		Part Number 235-1001	Revision 1 3/31/2015

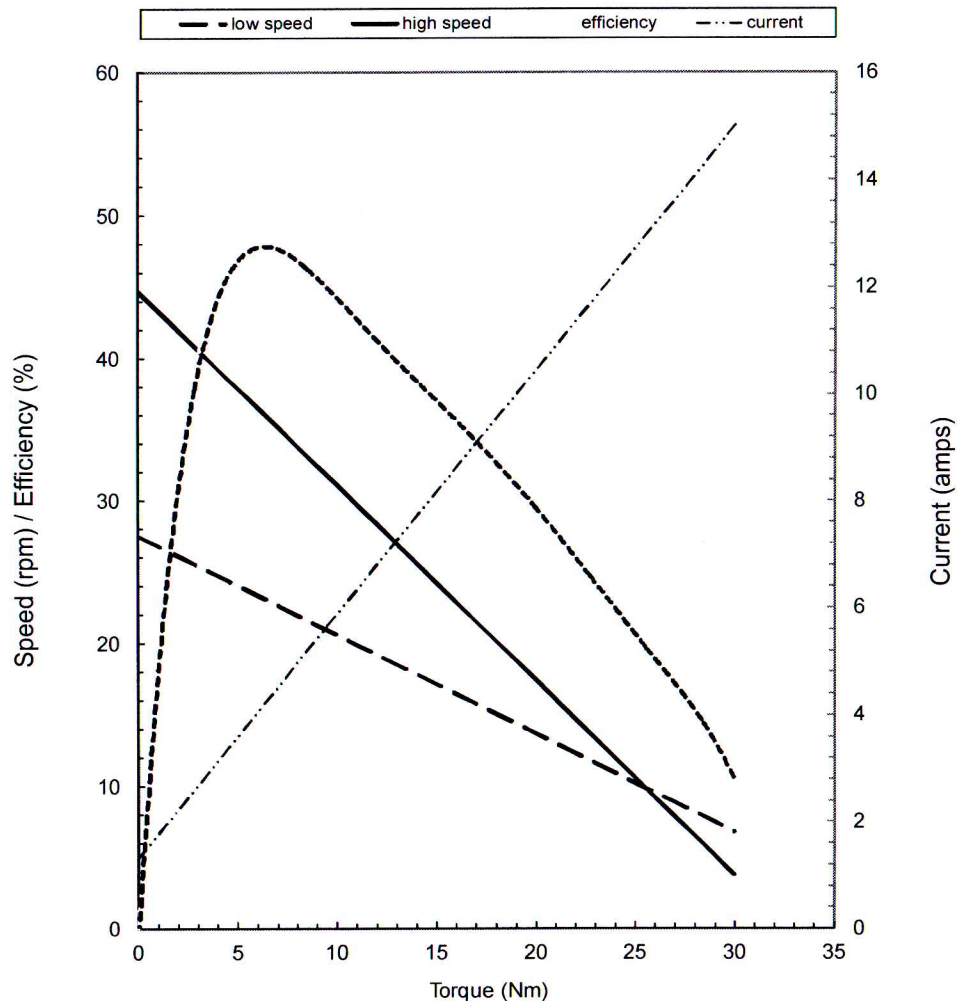
235 Series Motor 12V

CCW OUTPUT SHAFT ROTATION			
OPERATION	LOAD (Nm)	CURRENT (A)	SPEED (rpm)
LOW	NO LOAD	0.4 - 0.9	21.8 - 32.7
	17.5 Nm	5.5 - 8.3	10.8 - 16.2
HIGH	NO LOAD	0.8 - 1.7	35.0 - 52.6
	17.5 Nm	8.0 - 12.1	11.4 - 17.4



ISOLATED RETURN

APPLICATION REFERENCE:
 - FOR HIGHEST DURABILITY USE MOTOR AT OR BELOW PEAK EFFICIENCY TORQUE.
 - STALL CURRENT DRAW < 26 AMPS AT ROOM TEMPERATURE.
 - NOT INTENDED FOR USE UNDER IMPACT LOADING CONDITIONS.



NOTE:

1. ALL DATA TAKEN AT 13.5 VDC
2. DATA PLOT IS GIVEN AS AVERAGE MOTOR PERFORMANCE
3. DATA CHART IS BASED ON +/- 20% OF NOMINAL MOTOR PERFORMANCE
4. DATA CHART LOAD POINT IS 1/2 OF RATED STALL LOAD
5. ALL 12V 235 MOTOR WINDINGS ARE TO HAVE 0.55 x 28 TURNS.

Project	N/A	Designed by	ME	Checked by	RR	Approved by	AS	Material Specification	N/A	Finish Specification	N/A
			5/26/2009		3/31/2015		3/31/2015				
OVALS ARE FOR INCOMING INSPECTION CHECKING PROCESSES	UNLESS OTHERWISE SPECIFIED		TOLERANCES IN INCHES MM 1 PLACE DEC. = N/A ±0.25 2 PLACE DEC. = ±0.01 ±0.13 3 PLACE DEC. = ±0.005 ±0.08 4 PLACE DEC. = ±0.0025 N/A ANGULAR DIM. = ±1° ±1° DO NOT SCALE DRAWING WORK TO GIVEN DIMENSIONS				AM EQUIPMENT Jefferson, Oregon 97352 www.amequipment.com		Title/Name Motor, Wiper, 35Nm, 12V Dynamic Park, LH Housing		
	Part Number		235-1001		Revision		1		Sheet		
							3/31/2015		3 OF 3		

Dimensions are in: MM [INCHES]