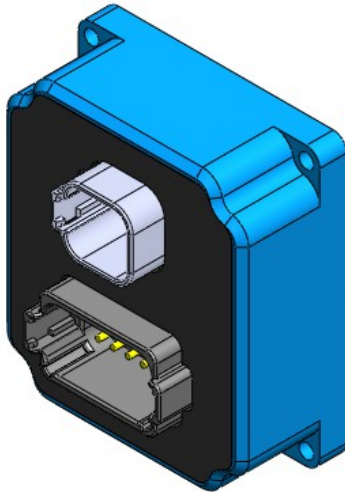


SIX CHANNEL THERMISTER INTERFACE

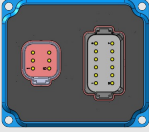


The device is designed for mobile applications and features robust packing, wide temperature and voltage tolerance as well as strong EMI and ESD immunity.

It features a micro-controller running the 621 co-operative multi-tasking kernel to provide a light high performance solution with start-up times as low a couple of Milliseconds.

Protocols include Generic CAN or J1939.

Part Number	ATSI-AI6-100	SIX CHANNEL THERMISTER INTERFACE

Package	
Part Number	ATSI-AI6-100
	
Length	3.27" (83 mm)
Height	2.87" (73 mm)
Width	1.66" (42 mm)
Frame Material	Nylon with carbon fiber
Finishing	
Environmental	
Operating / Storage Temp	-40°C to 85°C / -50°C to 85°C
Electrical	
Voltage (Power)	6.5-38 VDC
Communication	
Data Sampling	
Protocols	CAN / J1939
Baud Rate	250 kBit/s