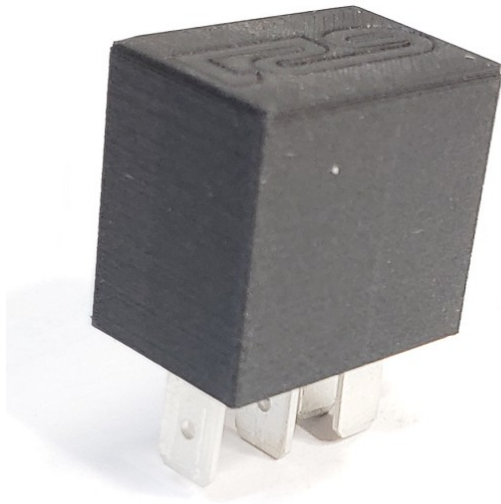


SOLID STATE RELAY

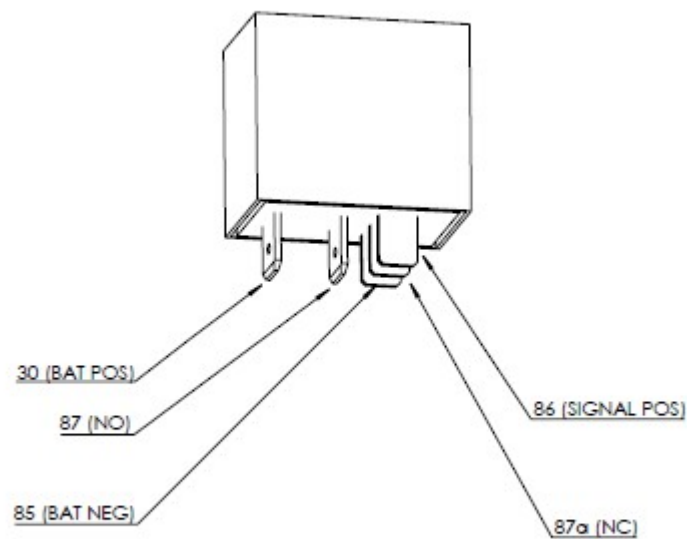
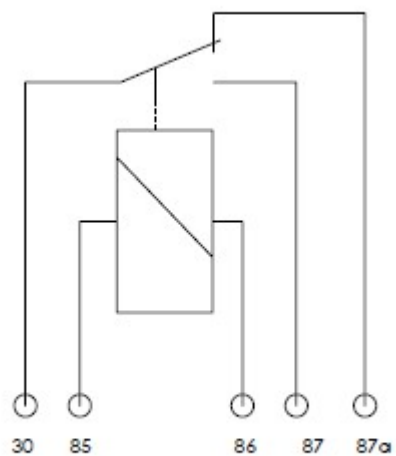
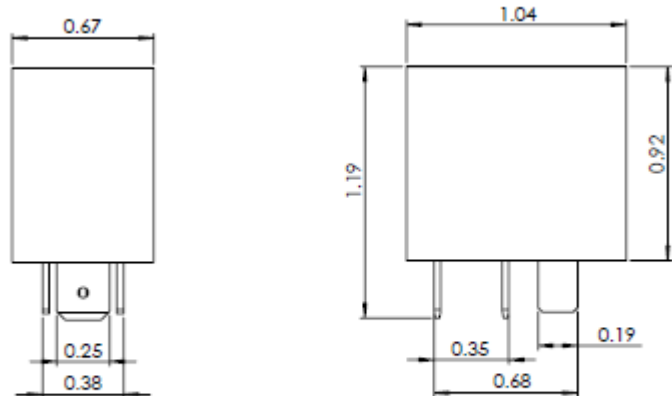


Compact, highly reliable solid state relay which can replace electro-mechanical relays.

Part Number	AREL-S001	SOLID STATE RELAY

Package	
Part Number	AREL-S001
	
Length	1.04" (26.42 mm)
Height	.67" (17.02 mm)
Depth	1.19" (30.23 mm)
Frame Material	Carbon Fiber
Footprint	Form C (SPDT) – non-standard special for E-One
Electrical	
Application Voltage	12VDC
Operating Voltage	6...15VDC
Current Rating	Intermittent: 30A (For 10 sec.) Continuous: 50°C - 18A 60°C - 16A 80°C - 14A 100°C - 10A 125°C - 4A
Environmental	
Operating / Storage Temp	Prototypes in printed nylon housing will soften over 90C – volume production will be in high temperature plastic.
Ingress Protection	IP67

*Relays are rated based on a steady state resistive load.



Testing conditions:

Start of new batch/every 100-th unit produced:

12V, 20A resistive load for 2 hours at 25°C high speed switching (20Hz) ~140000 switching cycles

12V, 20A resistive load for 4 hours at 25°C in each position

12V, 20A resistive load for 1 hour at 105°C in each position

Every unit:

12V, 20A resistive load for 10 minutes at 25°C high speed switching (20Hz) ~12000 switching cycles