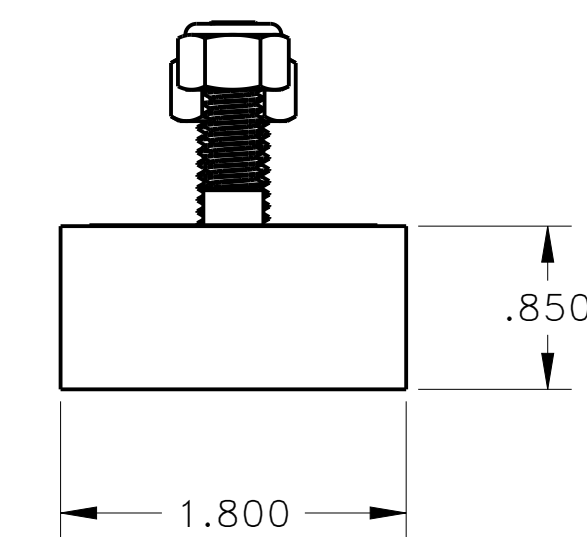
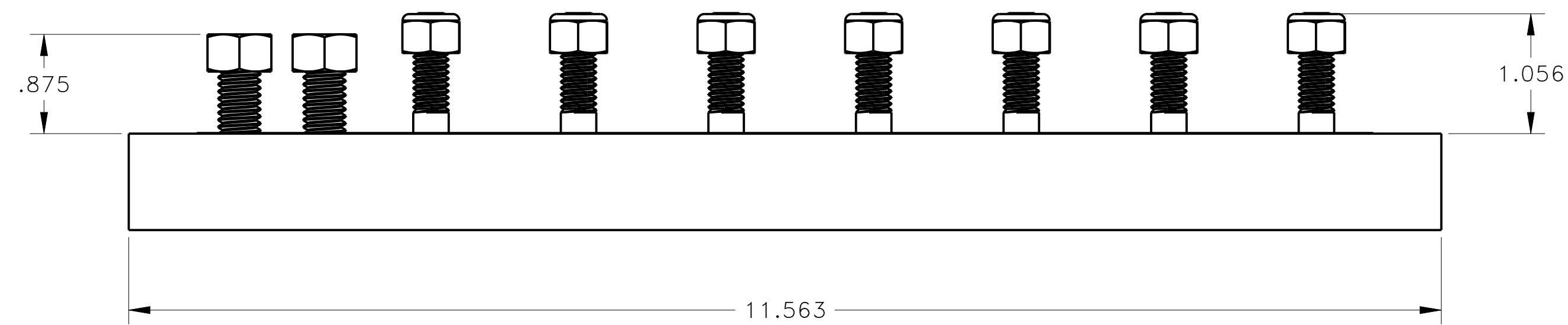
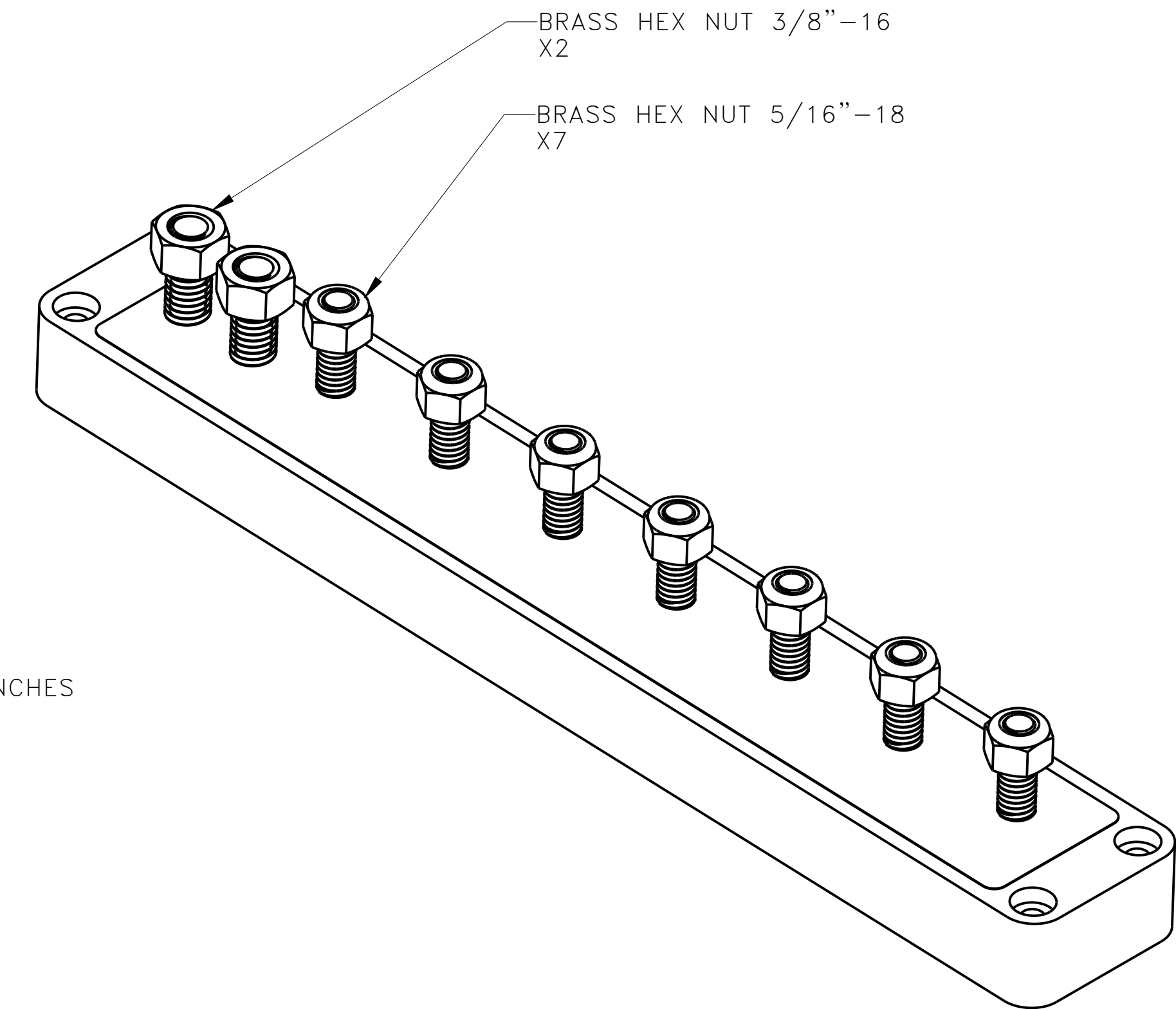
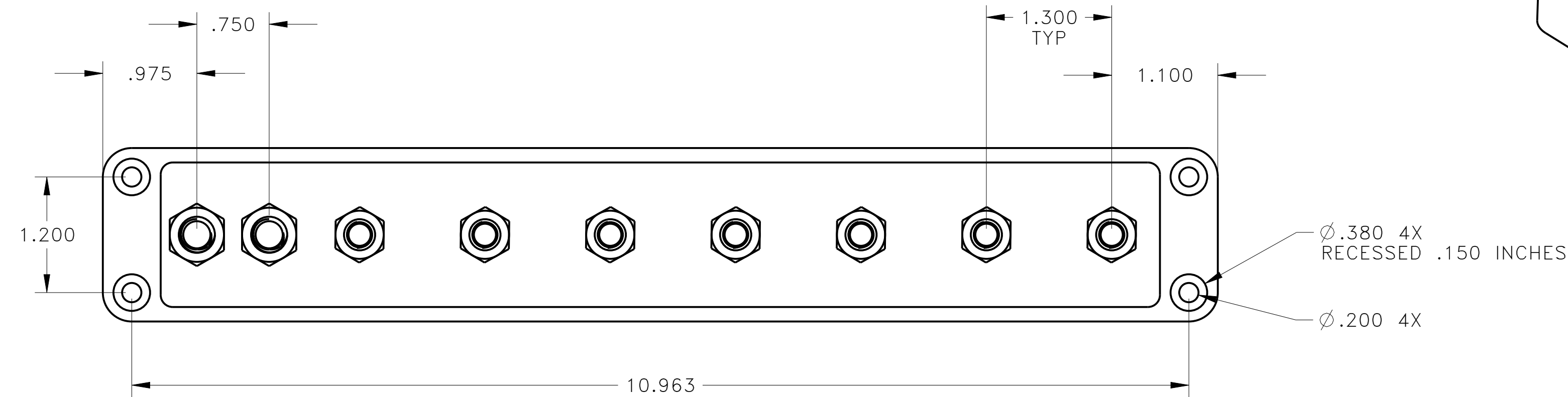


NOTES:

1. APPLICABLE STANDARDS / SPECIFICATIONS:
A. ASME Y14.5-2009 DIMENSIONING AND TOLERANCING
2. ITEM IDENTIFICATION:
MARK OR ATTACH A LABEL TO INDICATE PART NUMBER AND REVISION LEVEL OF COMPONENT.
3. TO BE MADE OUT OF TIN PLATED COPPER BAR.
4. SUPPLY SHOWN HARDWARE.

REVISION HISTORY				
ZONE	REV	DESCRIPTION	DATE	APPROVED BY
	A	INITIAL RELEASE	2019-DEC-03	GCRET



THIS IS A COMPUTER GENERATED DRAWING.
DO NOT UPDATE MANUALLY.

E-ONE, INC. PROPRIETARY

DISTRIBUTION STATEMENT:
THIS DOCUMENT CONTAINS E-ONE PROPRIETARY
DATA THAT IS PRIVATE AND PRIVILEGED. THIS
DOCUMENT SHALL BE MAINTAINED IN CONFIDENCE
AND SHALL NOT BE USED FOR MANUFACTURE,
DISCLOSED, OR REPRODUCED IN WHOLE OR IN
PART WITHOUT THE EXPRESSED WRITTEN CONSENT
OF E-ONE, INC.

INTERPRET DRAWING PER ASME Y14.5-2009

UNLESS OTHERWISE SPECIFIED
DIMENSIONS ARE IN INCHES

TOLERANCES

ANGLES ± .1°

FRACTIONS ± 1/32

DECIMALS ± .001, .XX .06, .XXX .031

BROKEN EDGES .015 MAX.

FILLETS R.015 MAX.

PART(S) SHALL BE FREE OF BURRS

SURFACE ROUGHNESS 125/

DO NOT SCALE THIS DRAWING

THIRD ANGLE PROJECTION

E-ONE	
DATE	2019-DEC-03
DRAWN BY	CGLOETZNER
ENGINEER	
CHECKED BY	GCRET
DRAWING APPROVAL	GCRET
DESIGN APPROVAL	GCRET
SIMILAR TO	

E-ONE, INC. 1601 S.W. 37TH AVENUE OCALA, FLORIDA 34474			
BUS BAR 7 STUD 621			
SIZE	CAGE CODE	DRAWING NUMBER	
D	8P082	1106194	
SCALE	UNIT WT	SHEET	OF
1.000		1	1