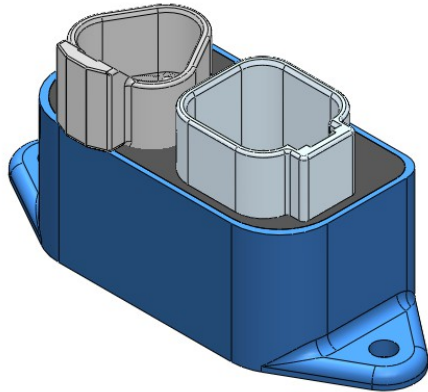


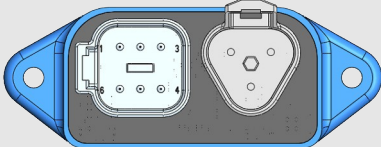
## LIN MULTI DROP MINI NODE



Small, robust LIN based I/O extender for use in multiple applications where there is a requirement for multiple sensor inputs over a large area.

Easily connects to other sensors and automatically adds to the LIN system.

Part Number	<b>AMDN-L3-001</b>	LIN MULTI DROP MINI NODE

Package	
Part Number	<b>AMDN-L3-001</b>
	
Length	3.23" (82.0 mm)
Height	1.20" (30.5 mm)
Depth	1.57" (40.0 mm)
Frame Material	V-0 RATED NYLON FILLED WITH CHOPPED CARBON FIBER
Environmental	
Operating / Storage Temp	-40°C to 85°C / -50°C to 85°C
Ingress Protection	IP66
Electrical	
Voltage (Power)	6.5-38 VDC
Communication	
Protocols	LIN