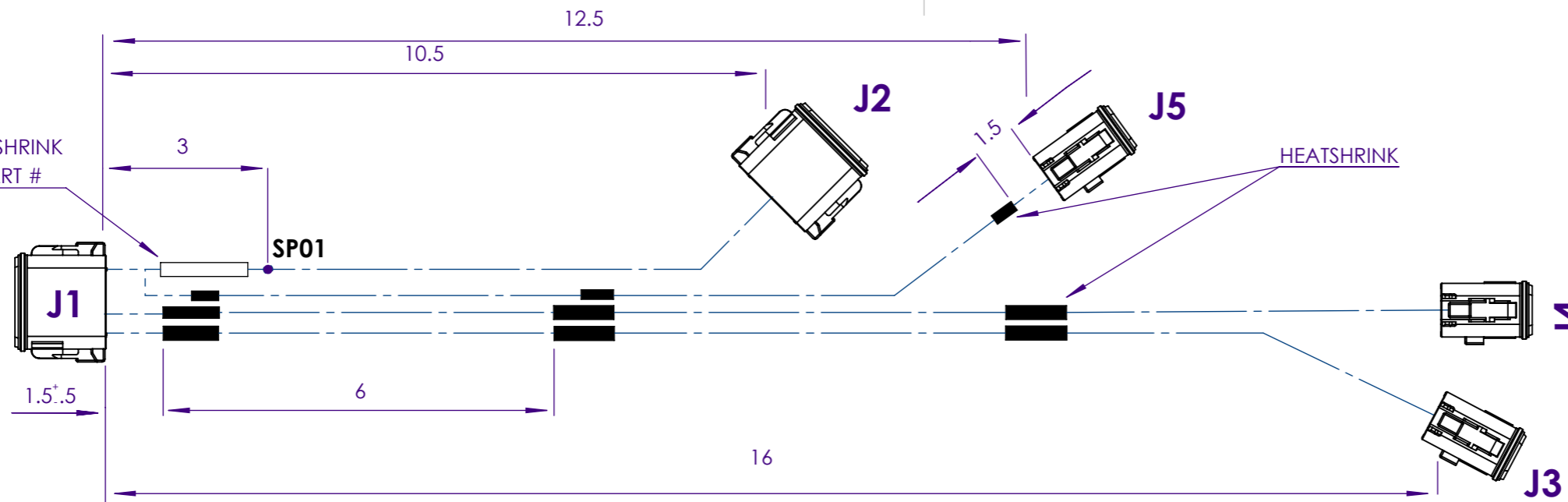


1 1/2 WHITE HEATSHRINK WITH PRINTED PART #




SP01	
WIRE	TARGET
GND	J1:5
GND	J2:2
GND	J5:1

J1		J2		SPICE	J3		J4		J5		WIRE				
CAN A Connector on Console TAG I/O Controller		To Grayhill Display or Eaton Display Adapter P# ALCTC-001-H10			To Left Joystick		To Left Monitor Control Key Pad		To Breathing Air Alarm		TWISTED PAIRS*	ID	COLOR	AWG	LENGTH (INCH)
DT06-12SB-P012		DT06-12SA-P012			DT06-4S		DT06-4S		DT06-2S						
PIN #	CODE	PIN #	CODE	PIN #	CODE	PIN #	CODE	PIN #	CODE						
1	J					2	J				TWISTED PAIRS	GND	BLACK	18	18.5
12	J					1	J				TWISTED PAIRS	POWER	RED	18	18.5
2	J					4	J				TWISTED PAIRS	CAN LO	GREEN	18	18.5
11	J					3	J				TWISTED PAIRS	CAN HI	YELLOW	18	18.5
3	J				2	J					TWISTED PAIRS	GND	BLACK	18	18.5
10	J				1	J					TWISTED PAIRS	POWER	RED	18	18.5
4	J				4	J					TWISTED PAIRS	CAN LO	GREEN	18	18.5
9	J				3	J					TWISTED PAIRS	CAN HI	YELLOW	18	18.5
6	J	12	J								TWISTED PAIRS	CAN LO	GREEN	18	13
7	J	11	J								TWISTED PAIRS	CAN HI	YELLOW	18	13
		8	J						2	J	TWISTED PAIRS	B/A ALARM	ORANGE	18	26
				SP01					1	J	TWISTED PAIRS	GND	BLACK	18	17.75
5	J	2	J	SP01							TWISTED PAIRS	GND	BLACK	18	13
8	J	1	J								TWISTED PAIRS	POWER	RED	18	13
W12S-P012		W12S-P012			W4S		W4S		W2S		WEDGE LOCK PLUG				
		0413-217-1605													

PIN CODE	PART #	TOTAL
J	0462-201-16141	27

*IF APPLICABLE TWISTING SHOULD NOT BE LESS THAN ONE TWIST PER INCH UNLESS OTHERWISE SPECIFIED
ALL SPLICES SHOULD BE COVERED WITH APPROPRIATE HEATSHRINK IF APPLICABLE



THIRD ANGLE PROJECTION

SCALE: NONE

DO NOT SCALE DRAWING REVISION 1.0

NAME	SIGNATURE	DATE	All data and drawings are sent without acknowledgement of a legal obligation, without guarantee of completeness and without promise of warranty. The data provided were ascertained using extreme care. However, possible sources of error cannot be excluded completely. We therefore do not accept any responsibility for damage and costs that may result from the use of these data. Binding data are to be taken exclusively from our drawings that are subject to confirmation. These contents are confidential and property of 621 inc., so it must not be copied or submitted to third parties for use or examination.
DRAWN Charles Jacob	CJ	02/20/19	
CHK'D Alexandr belii	AB	02/21/19	
APP'VD Dan Laton	DL	02/21/19	
MFG			
Q.A			

Dimensions are approximate. For representation only. Tolerances except where otherwise stated .X = +/- 0.25

621 Technologies inc.		A3
PLATFORM HARNESS-H4		
DWG NO. ALCTC-001-H4		
DIMENSIONS ARE IN INCHES UNLESS UNTIL SPECIFIED		SHEET 2 OF 2