

PIN	Func.	Color	Wire Length	Wire Gauge
1	BAT+	Red	18"	18AWG
2	PLAT DN (BTN2)	White	18"	18AWG
3	PLAT UP (BTN1)	Blue	18"	18AWG
4	N/A	N/A	N/A	N/A

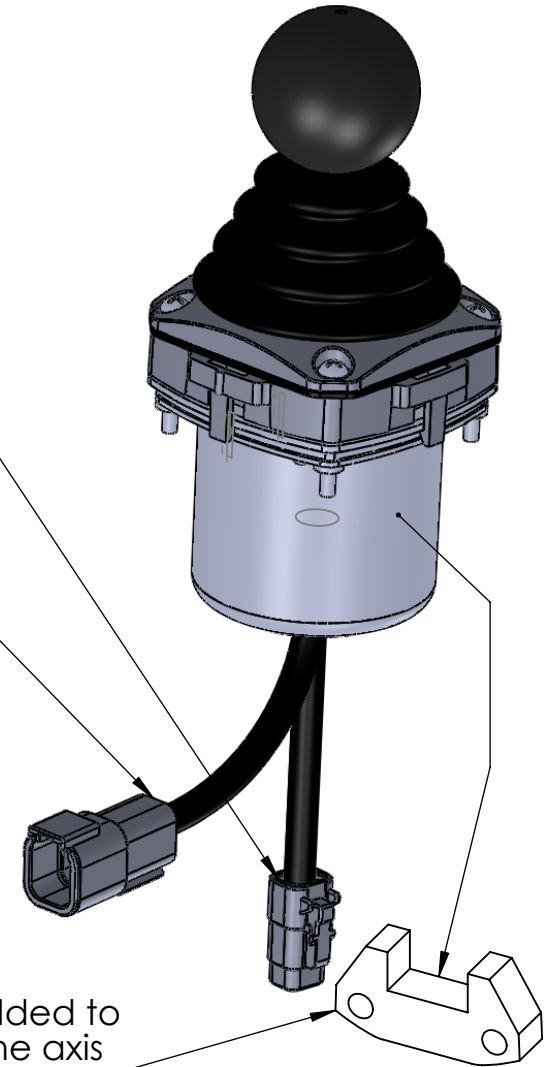
DTM06-4S

PIN	Func.	Color	Wire Length	Wire Gauge
1	GND	Black	18"	18AWG
2	BAT+	Red	18"	18AWG
3	CAN HI	Yellow	18"	18AWG
4	CAN LO	Green	18"	18AWG
5	N/A	N/A	N/A	N/A
6	N/A	N/A	N/A	N/A

DTM04-6P

PARTS LIST

DESCRIPTION	P/N	QUANTITY
Deutsch Connector	DTM04-6P	1
Deutsch Wedgelock	WM6P	1
Deutsch Terminal	0462-201-20141	4
Deutsch Connector	DTM06-4S	1
Deutsch Wedgelock	WM4S	1
Deutsch Terminal	0460-202-20141	3



Key added to lock one axis

PROPRIETARY AND CONFIDENTIAL
 THE INFORMATION CONTAINED IN THIS DRAWING IS THE SOLE PROPERTY OF 621 TECHNOLOGIES. ANY REPRODUCTION IN PART OR AS A WHOLE WITHOUT THE WRITTEN PERMISSION OF 621 TECHNOLOGIES IS PROHIBITED.

Key added to lock one axis	5/3/2018	UNLESS OTHERWISE SPECIFIED: DIMENSIONS ARE IN INCHES TOLERANCES: FRACTIONAL ± 0.25"	NAME	DATE
REVISION CHANGES	DATE		DRAWN	JS 4/17/18
APPLICATION			MECH. CHECKED 1	N/A N/A
			MECH. CHECKED 2	N/A N/A
			ELEC. CHECKED 1	
			ELEC. CHECKED 2	
			COMMENTS:	

621 Technologies

TITLE:
**KEYED SINGLE AXIS
 JOYSTICK CAN J1939**

SIZE	P/N	REV
A	AJSC-J2A1-K-001 (E-ONE P# 1080272-001)	1A0