

Mating Connector Hardware

DESCRIPTION	P/N	QUANTITY
Deutsch Connector	DTM06-6S	1
Deutsch Wedgelock	WM6S	1
Deutsch Terminal	0462-201-20141	4

DTM04-6P

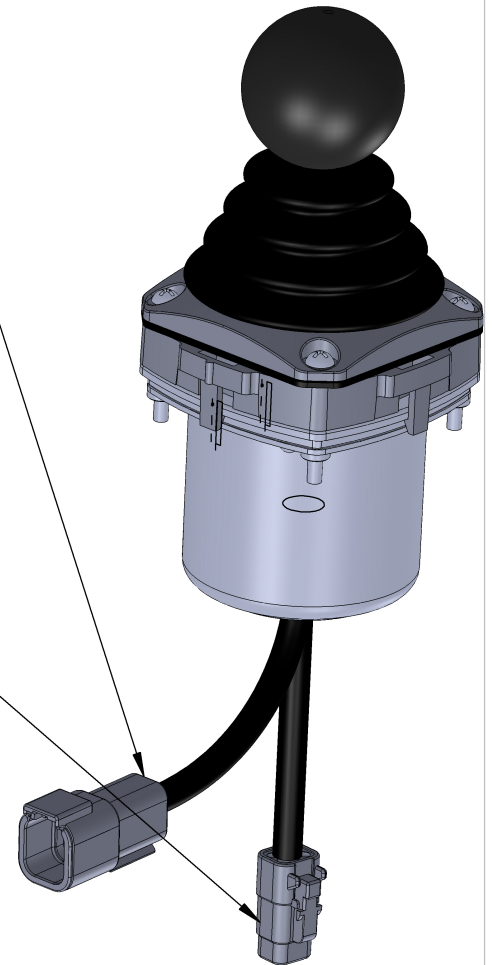
PIN	Func.	Color
1	GND	Black
2	BAT+	Red
3	CAN HI	Yellow
4	CAN LO	Green
5	N/A	N/A
6	N/A	N/A

Mating Connector Hardware

DESCRIPTION	P/N	QUANTITY
Deutsch Connector	DTM04-4P	1
Deutsch Wedgelock	WM4P	1
Deutsch Terminal	0460-202-20141	2

DTM06-4S

PIN	Func.	Color
1	BAT+	Red
2	CURTAIN (BTN 1)	White
3	N/A	N/A
4	N/A	N/A



PROPRIETARY AND CONFIDENTIAL
 THE INFORMATION CONTAINED IN THIS DRAWING IS THE SOLE PROPERTY OF 621 TECHNOLOGIES. ANY REPRODUCTION IN PART OR AS A WHOLE WITHOUT THE WRITTEN PERMISSION OF 621 TECHNOLOGIES IS PROHIBITED.

UNLESS OTHERWISE SPECIFIED:		NAME	DATE
DIMENSIONS ARE IN INCHES TOLERANCES: FRACTIONAL ± 0.25"		DRAWN	JS 4/17/18
		MECH. CHECKED 1	N/A N/A
		MECH. CHECKED 2	N/A N/A
		ELEC. CHECKED 1	
		ELEC. CHECKED 2	
REVISION CHANGES		COMMENTS:	
	DATE		
APPLICATION			

621 Technologies

TITLE:
**JOYSTICK DUAL AXIS
CAN J1939**

SIZE	P/N	REV
A	1080272	1A0