

### Mating Connector Hardware

DESCRIPTION	P/N	QUANTITY
Deutsch Connector	DTM06-6S	1
Deutsch Wedgelock	WM6S	1
Deutsch Terminal	0462-201-20141	4

### DTM04-6P

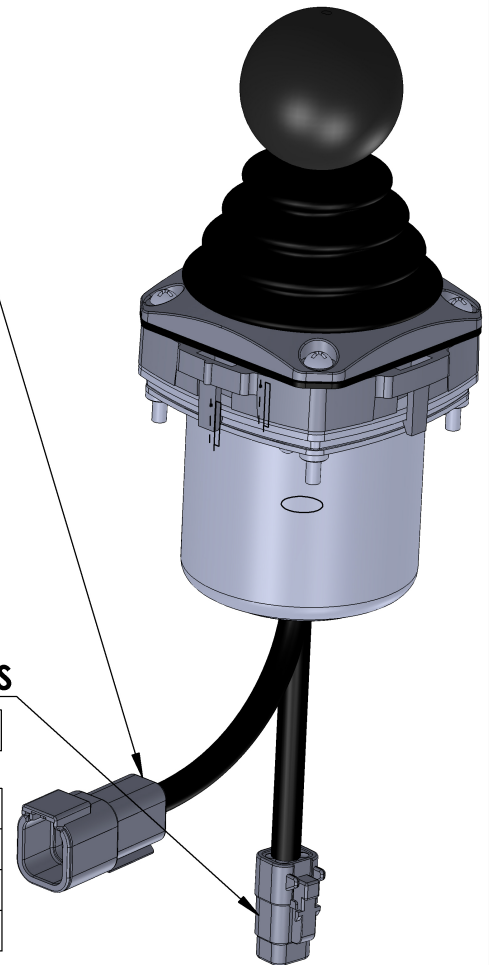
PIN	Func.	Color
1	GND	Black
2	BAT+	Red
3	CAN HI	Yellow
4	CAN LO	Green
5	N/A	N/A
6	N/A	N/A

### Mating Connector Hardware


DESCRIPTION	P/N	QUANTITY
Deutsch Connector	DTM04-4P	1
Deutsch Wedgelock	WM4P	1
Deutsch Terminal	0460-202-20141	3

### DTM06-4S

PIN	Func.	Color
1	BAT+	Red
2	PLAT DN (BTN 2)	White
3	PLAT UP (BTN 1)	Blue
4	N/A	N/A



Key added to lock one axis	5/3/2018	UNLESS OTHERWISE SPECIFIED:  DIMENSIONS ARE IN INCHES TOLERANCES: FRACTIONAL ± 0.25"	NAME	DATE	
			DRAWN	JS	4/17/18
			MECH. CHECKED 1	N/A	N/A
			MECH. CHECKED 2	N/A	N/A
			ELEC. CHECKED 1		
			ELEC. CHECKED 2		
			COMMENTS:		
REVISION CHANGES	DATE				
APPLICATION					

 <b>621 Technologies</b>	TITLE:	
	KEYED DUAL AXIS JOYSTICK	
SIZE	P/N	REV
<b>A</b>	<b>1080272-001</b>	<b>1A0</b>

**PROPRIETARY AND CONFIDENTIAL**  
THE INFORMATION CONTAINED IN THIS DRAWING IS THE SOLE PROPERTY OF 621 TECHNOLOGIES. ANY REPRODUCTION IN PART OR AS A WHOLE WITHOUT THE WRITTEN PERMISSION OF 621 TECHNOLOGIES IS PROHIBITED.