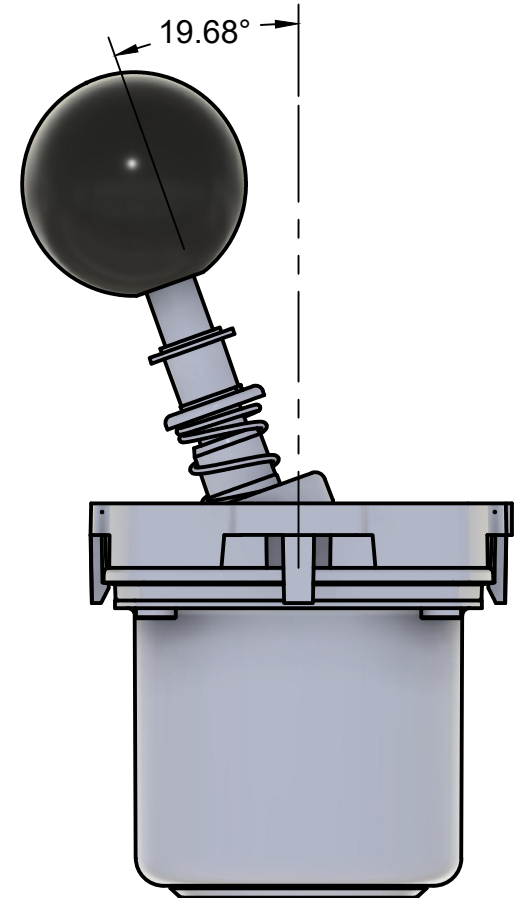


Ø4.5"  
\*Maximum Axial  
Handle Position



621 TECHNOLOGIES INC.



PROJECT

DUAL AXIS JOYSTICK 1080272

TITLE

HANDLE TRAVEL SPECIFICATION

APPROVED

CHECKED

DRAWN Jamie Swart

7/16/2021

SIZE

A

CODE

DWG NO

1

REV

SCALE 1:4

WEIGHT

SHEET 1/1