

DTM06-4S

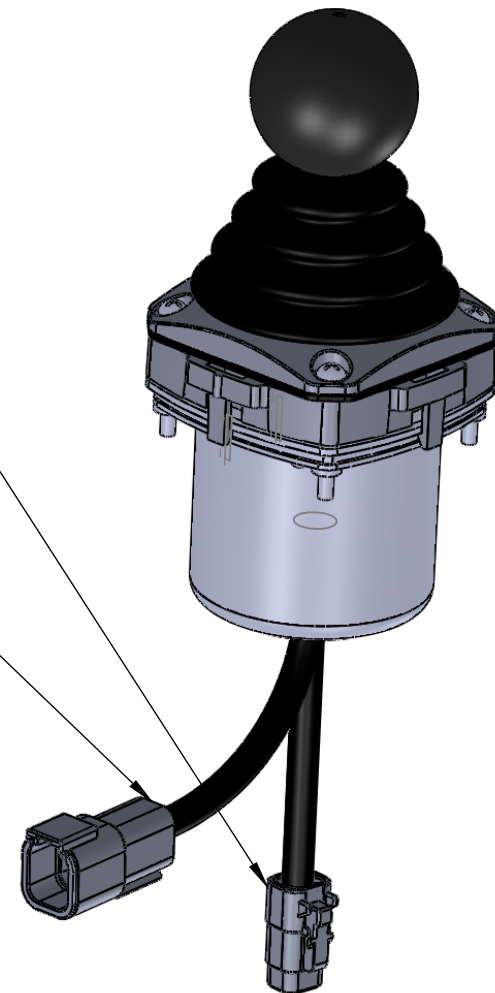
PIN	Func.	Color	Wire Length	Wire Gauge
1	BAT+	Red	18"	18AWG
2	CURTAIN (BTN 1)	White	18"	18AWG
3	N/A	N/A	N/A	N/A
4	N/A	N/A	N/A	N/A

DTM04-6P

PIN	Func.	Color	Wire Length	Wire Gauge
1	GND	Black	18"	18AWG
2	BAT+	Red	18"	18AWG
3	CAN HI	Yellow	18"	18AWG
4	CAN LO	Green	18"	18AWG
5	N/A	N/A	N/A	N/A
6	N/A	N/A	N/A	N/A

PARTS LIST

DESCRIPTION	P/N	QUANTITY
Deutsch Connector	DTM04-6P	1
Deutsch Wedgelock	WM6P	1
Deutsch Terminal	0462-201-20141	4
Deutsch Connector	DTM6-4S	1
Deutsch Wedgelock	WM4S	1
Deutsch Terminal	0460-202-20141	2



PROPRIETARY AND CONFIDENTIAL
 THE INFORMATION CONTAINED IN THIS DRAWING IS THE SOLE PROPERTY OF 621 TECHNOLOGIES. ANY REPRODUCTION IN PART OR AS A WHOLE WITHOUT THE WRITTEN PERMISSION OF 621 TECHNOLOGIES IS PROHIBITED.

		UNLESS OTHERWISE SPECIFIED: DIMENSIONS ARE IN INCHES TOLERANCES: FRACTIONAL ± 0.25"	NAME	DATE
			DRAWN	JS 4/17/18
			MECH. CHECKED 1	N/A
			MECH. CHECKED 2	N/A
			ELEC. CHECKED 1	
			ELEC. CHECKED 2	
		COMMENTS:		
REVISION CHANGES	DATE			
APPLICATION				

621 Technologies

TITLE:
**JOYSTICK DUAL AXIS
 CAN J1939**

SIZE A	P/N AJSC-J2A1-001 (E-One P#1080260)	REV 1A0
------------------	--	-------------------