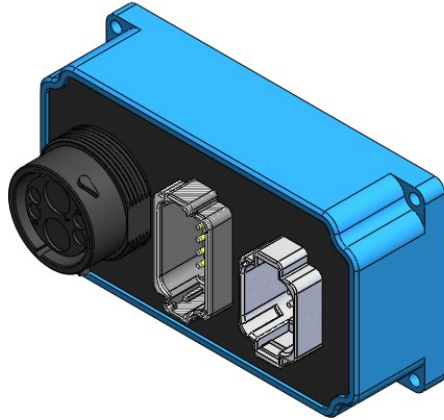


I/O CONTROLLER

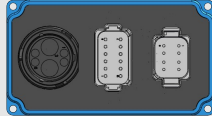


The device is designed for mobile applications and features robust packing, wide temperature and voltage tolerance as well as strong EMI and ESD immunity.

It features a micro-controller running the 621 co-operative multi-tasking kernel to provide a light high performance solution with start-up times as low a couple of Milliseconds.

Protocols include Generic CAN or J1939.

Part Number	AIOC-H4P8D16-100	I/O CONTROLLER

Package	
Part Number	AIOC-H4P8D16-100
	
Length	4.96" (126 mm)
Height	2.76" (70 mm)
Width	2.21" (56 mm)
Frame Material	Diecast Aluminum
Finishing	Powder Coating
Environmental	
Operating / Storage Temp	-40°C to 85°C / -50°C to 85°C
Electrical	
Voltage (Power)	6.5-38 VDC
Communication	
Data Sampling	10 to 20 bits
Protocols	CAN / J1939
Baud Rate	250 kBit/s