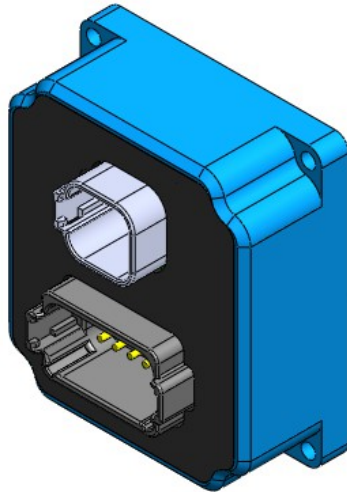


FOUR CHANNEL ANALOG IN CONTROLLER

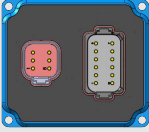


The device is designed for mobile applications and features robust packing, wide temperature and voltage tolerance as well as strong EMI and ESD immunity.

It features a micro-controller running the 621 co-operative multi-tasking kernel to provide a light high performance solution with start-up times as low a couple of Milliseconds.

Protocols include Generic CAN or J1939.

Part Number	AIOC-AI4-100	FOUR CHANNEL ANALOG IN CONTROLLER

Package	
Part Number	AIOC-AI4-100
	
Length	3.27" (83 mm)
Height	2.87" (73 mm)
Width	1.66" (42 mm)
Frame Material	Diecast Aluminum
Finishing	Powder Coating
Environmental	
Operating / Storage Temp	-40°C to 85°C / -50°C to 85°C
Electrical	
Voltage (Power)	6.5-38 VDC
Communication	
Data Sampling	10 to 20 bits
Protocols	CAN / J1939
Baud Rate	250 kBit/s