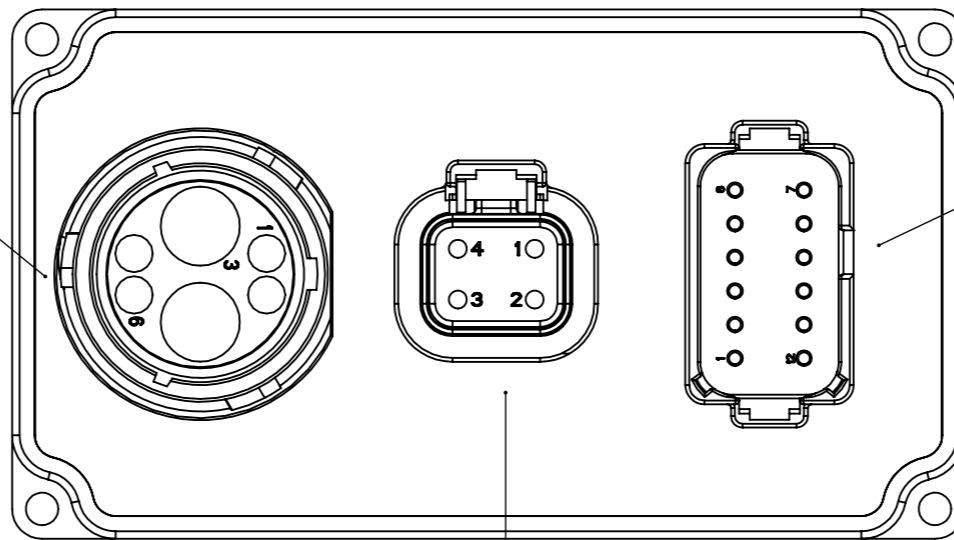




MATING CONNECTOR DEUTSCH HDP26-18-6SN	
PIN	ID
1	CAN HI
2	CAN LO
3	VBAT
4	GND
5	LIN
6	SPARE



MATING CONNECTOR DEUTSCH DT06-12SA	
PIN	ID
1	N/C
2	THERMISTOR_SIGNAL
3	THERMISTOR_GND
4	TEMPERATURE_VALVE_GND
5	TEMPERATURE_VALVE_SIGNAL
6	TEMPERATURE_VALVE_POWER
7	DEFROST_VALVE_SIGNAL
8	GND
9	INPUT_A/TEMP
10	INPUT_B/TEMP
11	GND
12	N/C

MATING CONNECTOR DEUTSCH DTP06-4S-EE01	
PIN	ID
1	FRONT_FAN-
2	REAR_FAN-
3	REAR_FAN+
4	FRONT_FAN+

		 THIRD ANGLE PROJECTION		SCALE: NONE		DO NOT SCALE DRAWING		REVISION 1.0	
				621 Technologies inc.					
DRAWN		SIGNATURE		DATE		TITLE: PINOUT			
CHK'D						<small>All data and drawing are sent without acknowledgement of a legal obligation, without guarantee of completeness and without promise of warranty. The data provided were ascertained using extreme care. However, possible sources of error cannot be excluded completely. We therefore do not accept any responsibility for damage and costs that may result from the use of these data. Binding data are to be taken exclusively from our drawings that are subject to confirmation. These contents are confidential and property of 621 inc., so it must not be copied or submitted to third parties for use or examination.</small>			
APPV'D									
MFG									
Q.A						DWG NO. AHVAC-101		A3	
<small>Dimensions are approximate. For representation only. Tolerances except where otherwise stated .X = +/- 0.25</small>						<small>DIMENSIONS ARE IN INCHES UNLESS UNTIL SPECIFIED</small>			