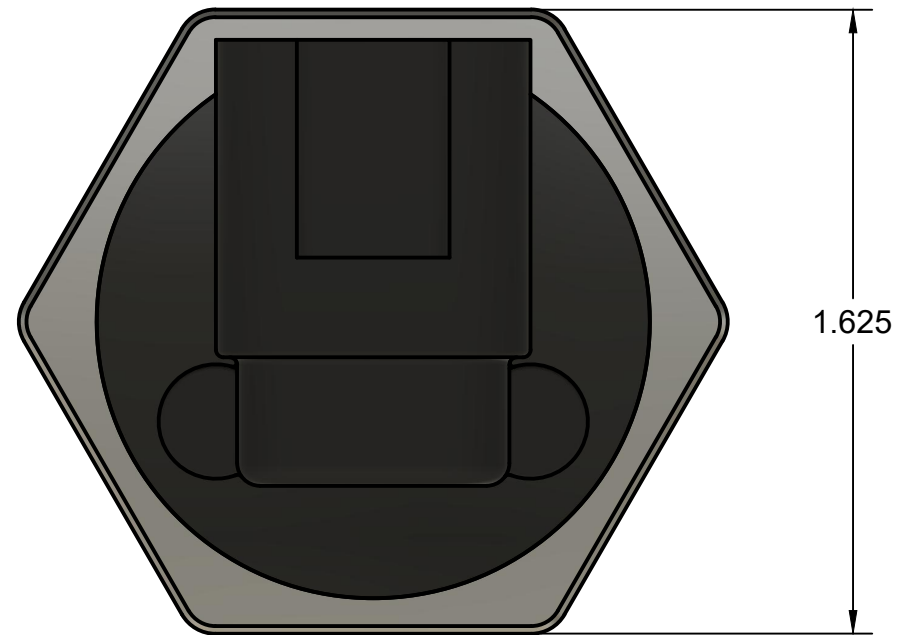
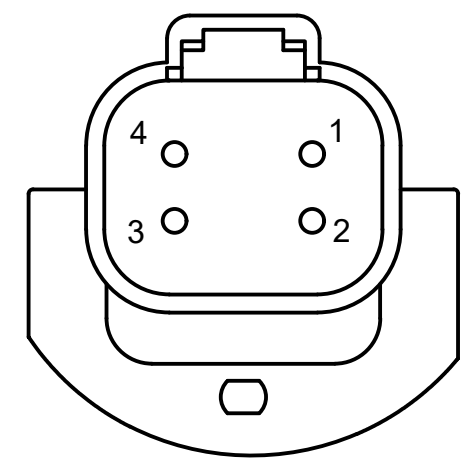


**TOP**



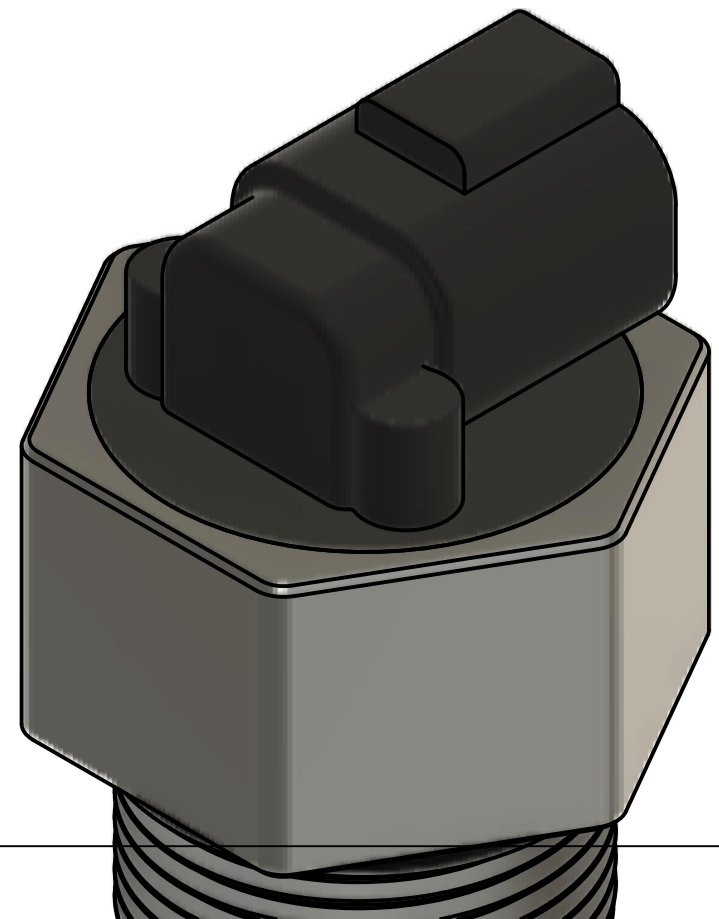
\*ALL UNITS IN INCH




ATF13-4P PINOUT	
PIN NUMBER	FUNCTION
1	POWER
2	GROUND
3	CAN HI
4	CAN LO

\*ADAPTOR CABLE WILL BE PROVIDED INITIALLY TO ACCOMODATE EXISTING HARNESS

**DETAIL A**  
**SCALE 2:1**




<b>621 TECHNOLOGIES INC.</b>		PROJECT		
		Fluid Level Sensor		
		TITLE		
		<b>E-ONE P/N 1123872</b>		
APPROVED	SIZE	CODE	DWG NO	REV
CHECKED	B		1	
DRAWN	Jamie Swart	7/2/2021	SCALE 1:3	WEIGHT
			SHEET 1/2	

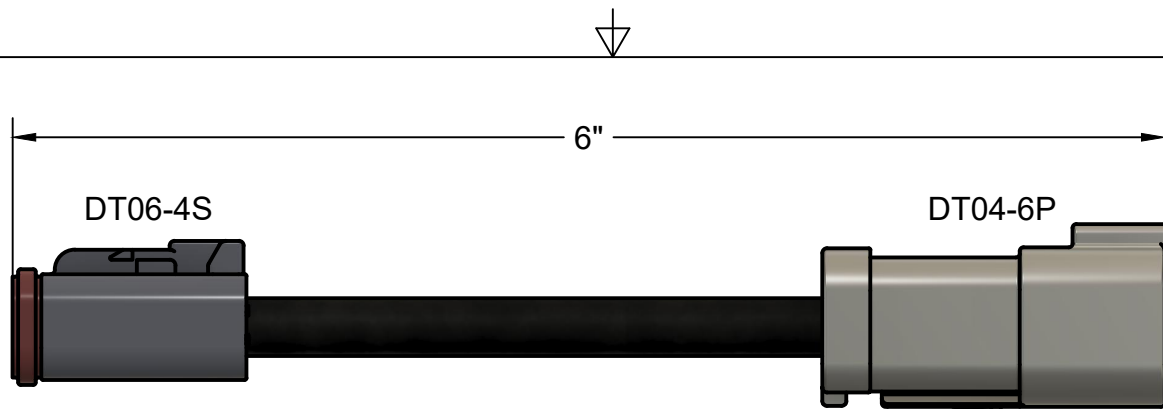
# CHEMICAL COMPATIBILITY

MISC.	
CHEMICAL	RATING
Distilled Water	Excellent
Hydrogen Peroxide 30%	Good

ALCHOHOLS	
CHEMICAL	RATING
Butyl	Good
Ethanolamine	Good
Ethyl	Good
Ethylene glycol	Excellent
Methyl	Good
Propyl	Good


PETROLIUM BASED PRODUCTS	
CHEMICAL	RATING
Butane liquefied	Excellent
Diesel Fuel	Excellent
Hexane	Excellent
Hydraulic oil	Excellent
Jet Fuel	Excellent
Kerosene	Excellent
Methanol <10% *	Good
Motor oil	Excellent
Regular Premium Gasoline	Excellent
Turpentine	Good

<b>621 TECHNOLOGIES INC.</b>		PROJECT		
		Fluid Level Sensor		
		TITLE		
		E-ONE P/N 1123872		
APPROVED	SIZE	CODE	DWG NO	REV
CHECKED	B		2	
DRAWN	Jamie Swart	7/2/2021	SCALE	WEIGHT
			SHEET 2/2	



DT06-4S PINOUT	
PIN #	FUNCTION
1	POWER
2	GROUND
3	CAN HI
4	CN LO

DT04-6P PINOUT	
PIN #	FUNCTION
1	CAN HI
2	CAN LO
3	N/A
4	N/A
5	POWER
6	GROUND

	PROJECT			
	Fluid Level Sensor Adaptor Harness			
	TITLE			
	E-ONE P/N 1123872			
APPROVED	SIZE	CODE	DWG NO	REV
CHECKED	A		3	
DRAWN	Jamie Swart	7/13/2021	SCALE 1:4	WEIGHT
				SHEET 1/1