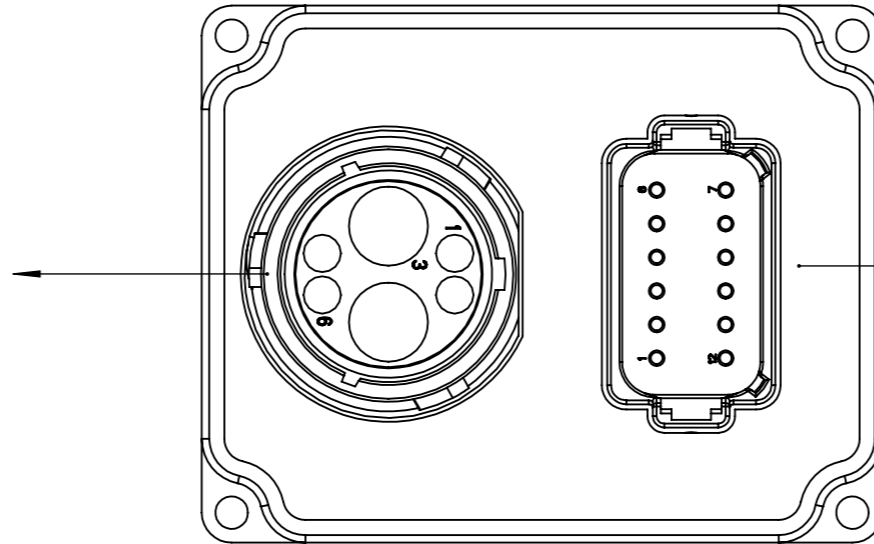

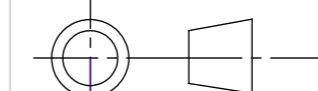


MATING CONNECTOR DEUTSCH HDP26-18-6SN	
PIN	ID
1	CAN HI
2	CAN LO
3	VBAT
4	GND
5	LIN
6	SPARE



MATING CONNECTOR DEUTSCH DT06-12SD	
PIN	ID
1	OUT_1
2	OUT_2
3	OUT_3
4	OUT_4
5	OUT_5
6	OUT_6
7	OUT_7
8	OUT_8
9	OUT_9
10	OUT_10
11	OUT_11
12	OUT_12

		 THIRD ANGLE PROJECTION		SCALE: NONE		DO NOT SCALE DRAWING		REVISION 1.0	
				621 Technologies inc.					
DRAWN Charles Jacob		SIGNATURE CJ		DATE		TITLE: PINOUT			
CHK'D Alexandr belii		SIGNATURE AB		DATE					
APPV'D Dan Laton		SIGNATURE DL		DATE					
MFG									
Q.A						DWG NO. AEVC-H12-100		A3	
Dimensions are approximate. For representation only. Tolerances except where otherwise stated .X = +/- 0.25						All data and drawing are sent without acknowledgement of a legal obligation, without guarantee of completeness and without promise of warranty. The data provided were ascertained using extreme care. However, possible sources of error cannot be excluded completely. We therefore do not accept any responsibility for damage and costs that may result from the use of these data. Binding data are to be taken exclusively from our drawings that are subject to confirmation. These contents are confidential and property of 621 inc., so it must not be copied or submitted to third parties for use or examination.			
						DIMENSIONS ARE IN INCHES UNLESS UNTIL SPECIFIED SHEET 2 OF 2			