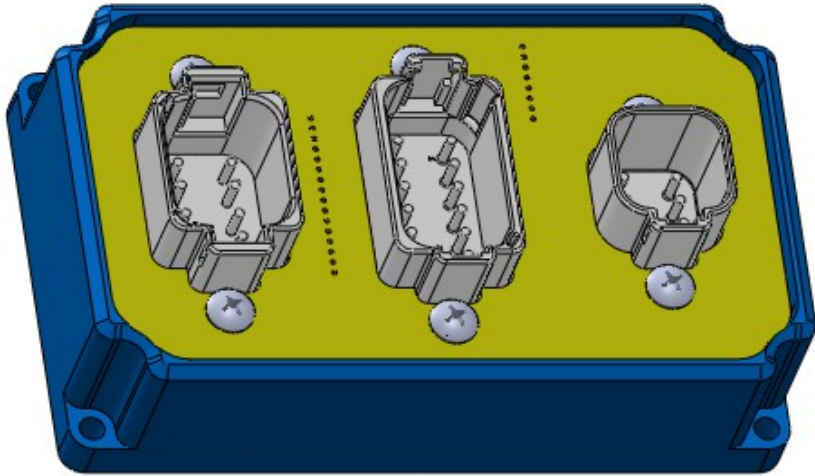


## Jack Leg I/O

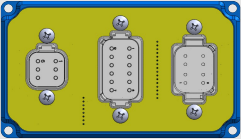


The device is designed for mobile applications and features robust packing, wide temperature and voltage tolerance as well as strong EMI and ESD immunity.

It features an ARM micro-controller running the 621 co-operative multi-tasking kernel to provide a light high performance solution with start-up times as low a couple of Milliseconds.

Protocols include Generic CAN or J1939.

Part Number	AECU-JCTR-101	JACK LEG I/O

Package	
Part Number	<b>AECU-JCTR-101</b>
	
Length	4.84" (123 mm)
Height	2.76" (70mm)
Depth	1.69" (43 mm)
Frame Material	Diecast Aluminum
Finishing	Powder Coating
Environmental	
Operating / Storage Temp	-40°C to 85°C / -50°C to 85°C
Electrical	
Voltage (Power)	6.5-38 VDC
Communication	
Data Sampling	10 to 20 bits
Protocols	CAN / J1939
Baud Rate	250 kBit/s