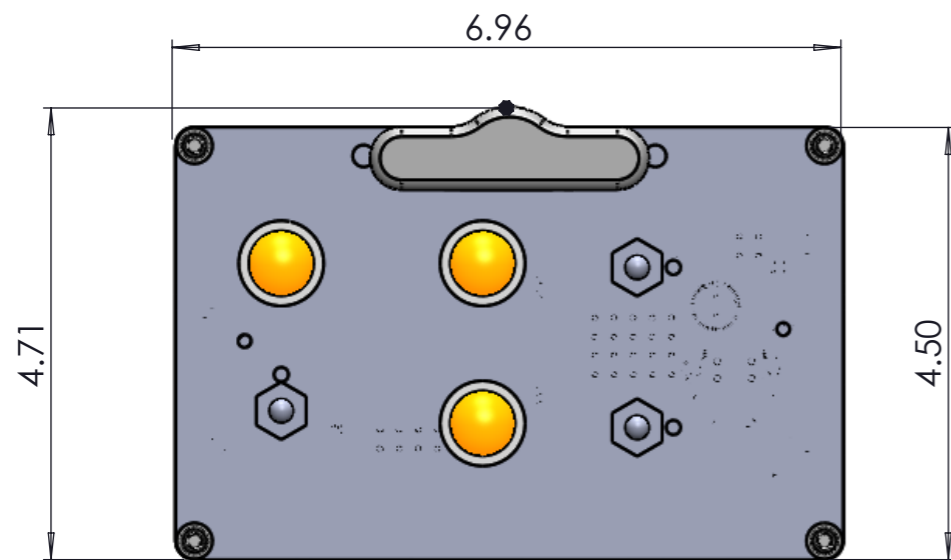
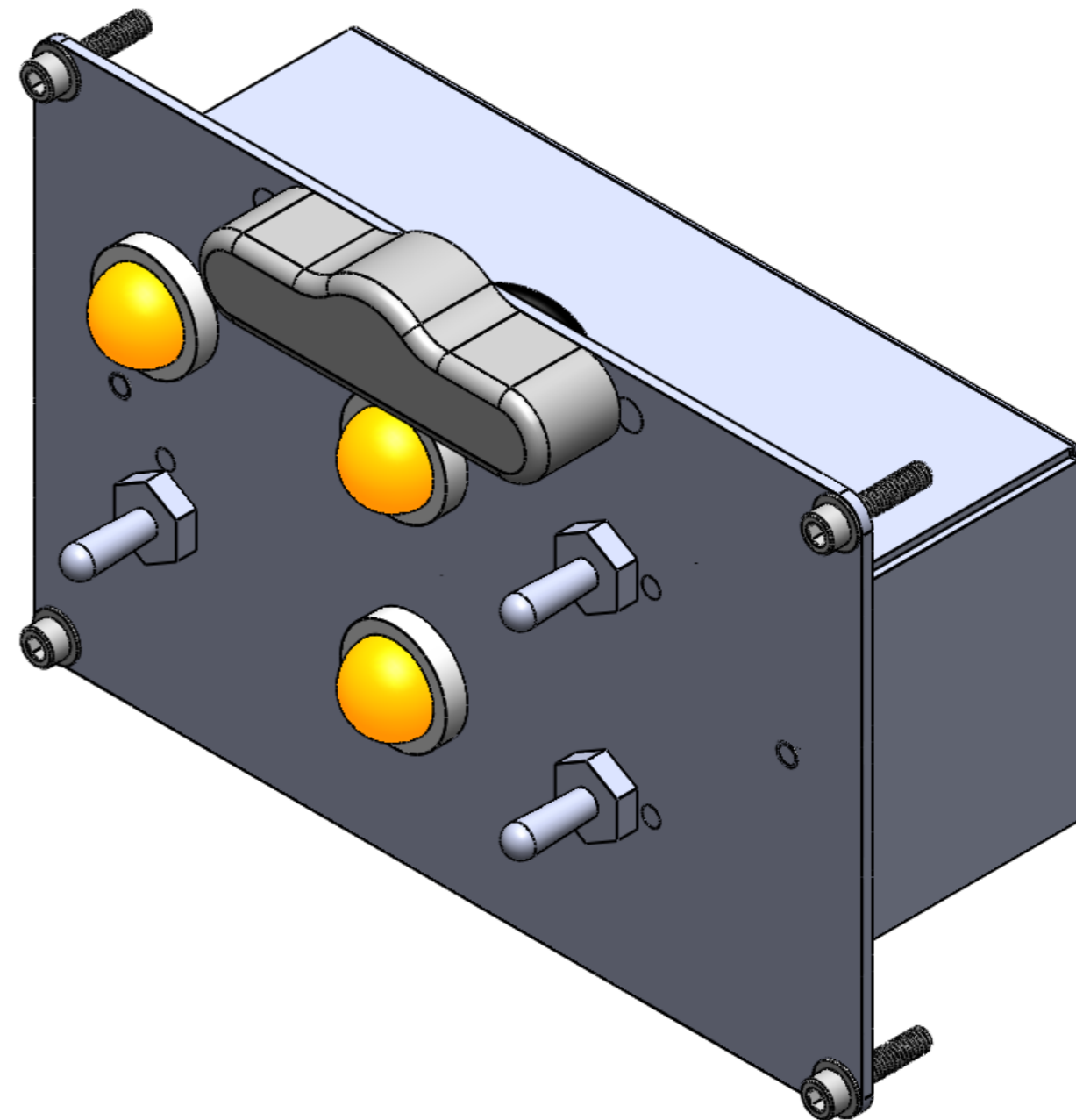



MATING CONNECTOR: DT06-4S

PIN	FUNC.	COLOR	AWG
1	VBAT	RED	18
2	GND	BLACK	18
3	LIN	BLUE	18
4	N/A	N/A	N/A



REV	MODIFICATION				Customer COMMERCIAL	 621 Technologies inc.	
1	DRAWN				UNITS: Inch		TITLE: JACK CONTROL PANEL LIN AUXILIARY
		DRAWN	NAME	SIGNATURE	DATE	PART NO. AECU-CPJM-101	
		CHK'D					
		APPV'D					
		MFG					
		Q.A					
						FINISH: N/A	SCALE: DO NOT SCALE
						SHEET 1 OF 1	A3