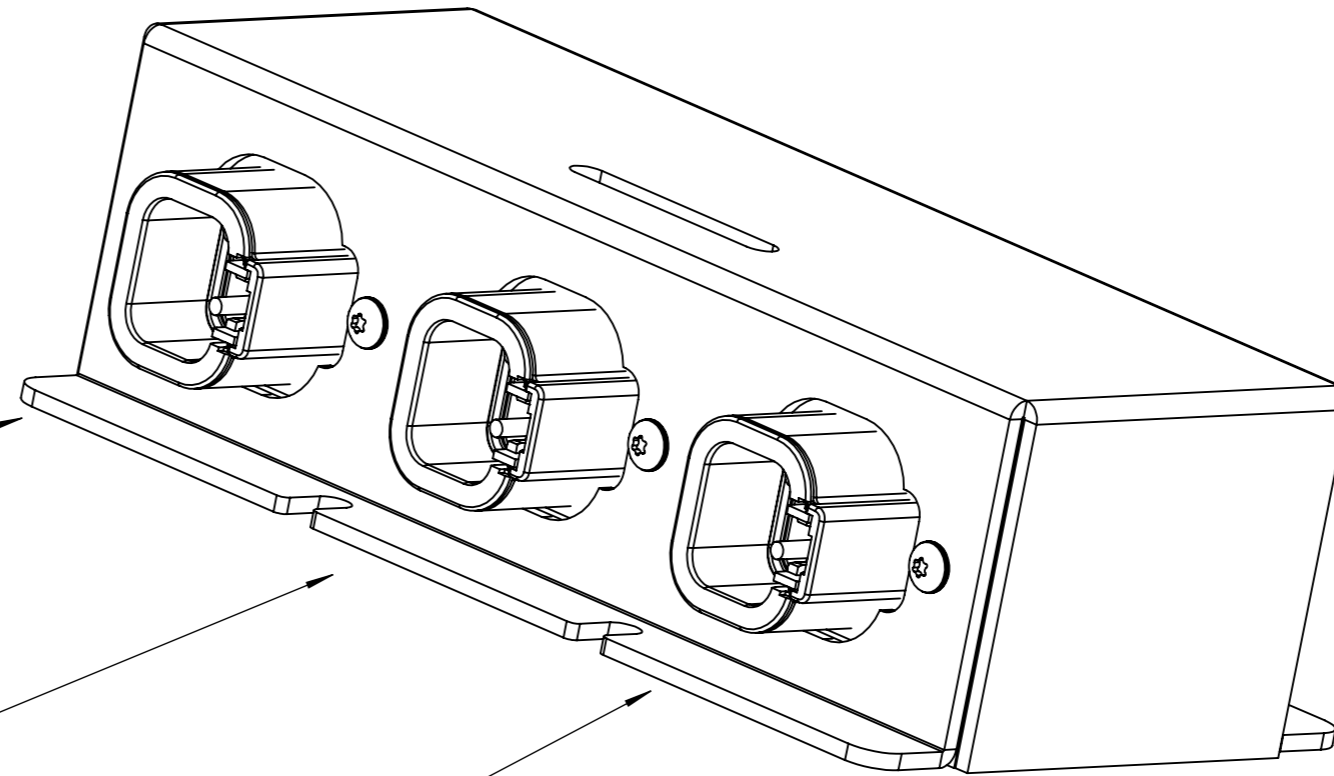



**MONITOR A**  
POWER+CAN

**SYSTEM**  
POWER+CAN

**MONITOR B**  
POWER+CAN



<i>DEUSCH DTP13-4P</i>	
PIN	ID
1	POWER
2	GND
3	CAN HI
4	CAN LO

		FINISH:	DEBUR AND BREAK SHARP EDGES	DO NOT SCALE DRAWING	REVISION 1.0
		<b>621 Technologies inc.</b>			<b>PIN OUT</b>
NAME	SIGNATURE	DATE	UNITS:	TITLE:	
DRAWN			<b>IMPERIAL</b>		
CHK'D					
APPV'D					
MFG					
Q.A			MATERIAL:	DWG NO.	A3
				<b>ADMU-001</b>	
			WEIGHT:	SCALE:1:2	SHEET 1 OF 1