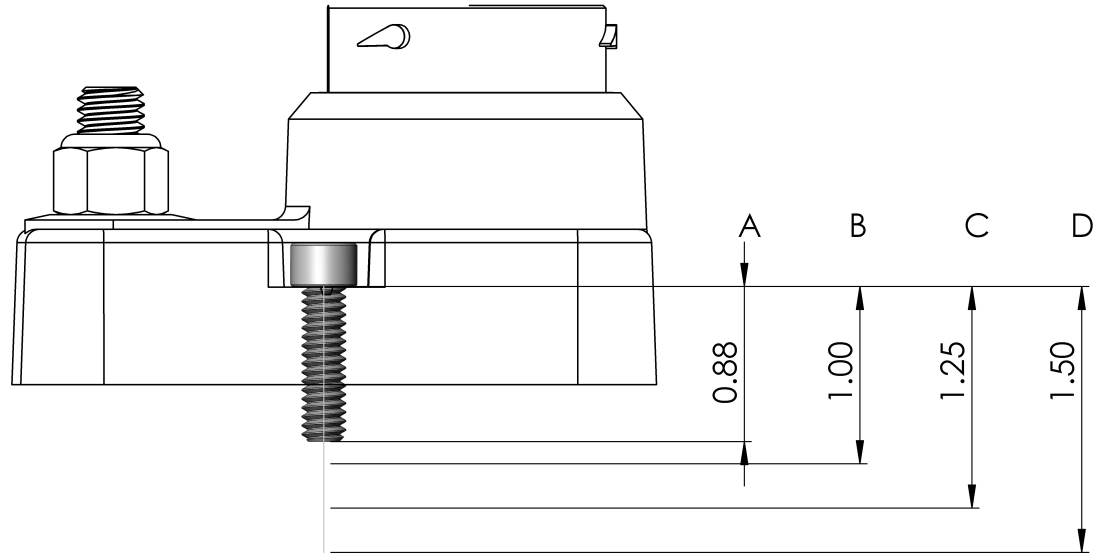


ABB-GC1625-B/R-X

Mounting Hardware	Part Number Identifier
1/4-20 x 7/8" Socket Cap Screw	A
1/4-20 x 1" Socket Cap Screw	B
1/4-20 x 1.25" Socket Cap Screw	C
1/4-20 x 1.5" Socket Cap Screw	D

*All Mounting Hardware options include; Washers, Lockwashers and Locknuts.



PROPRIETARY AND CONFIDENTIAL
 THE INFORMATION CONTAINED IN THIS DRAWING IS THE SOLE PROPERTY OF <INSERT COMPANY NAME HERE>. ANY REPRODUCTION IN PART OR AS A WHOLE WITHOUT THE WRITTEN PERMISSION OF <INSERT COMPANY NAME HERE> IS PROHIBITED.

		UNLESS OTHERWISE SPECIFIED:		NAME	DATE
		DIMENSIONS ARE IN INCHES	DRAWN		
		TOLERANCES:	CHECKED		
		FRACTIONAL ±	ENG APPR.		
		ANGULAR: MACH ± BEND ±	MFG APPR.		
		TWO PLACE DECIMAL ±	Q.A.		
		THREE PLACE DECIMAL ±	COMMENTS:		
		INTERPRET GEOMETRIC TOLERANCING PER:			
		MATERIAL			
		FINISH			
NEXT ASSY	USED ON				
APPLICATION		DO NOT SCALE DRAWING			

621 Technologies		
TITLE: Mounting Hardware		
SIZE A	DWG. NO. Busbar	REV
SCALE: 1:2	WEIGHT:	SHEET 1 OF 1