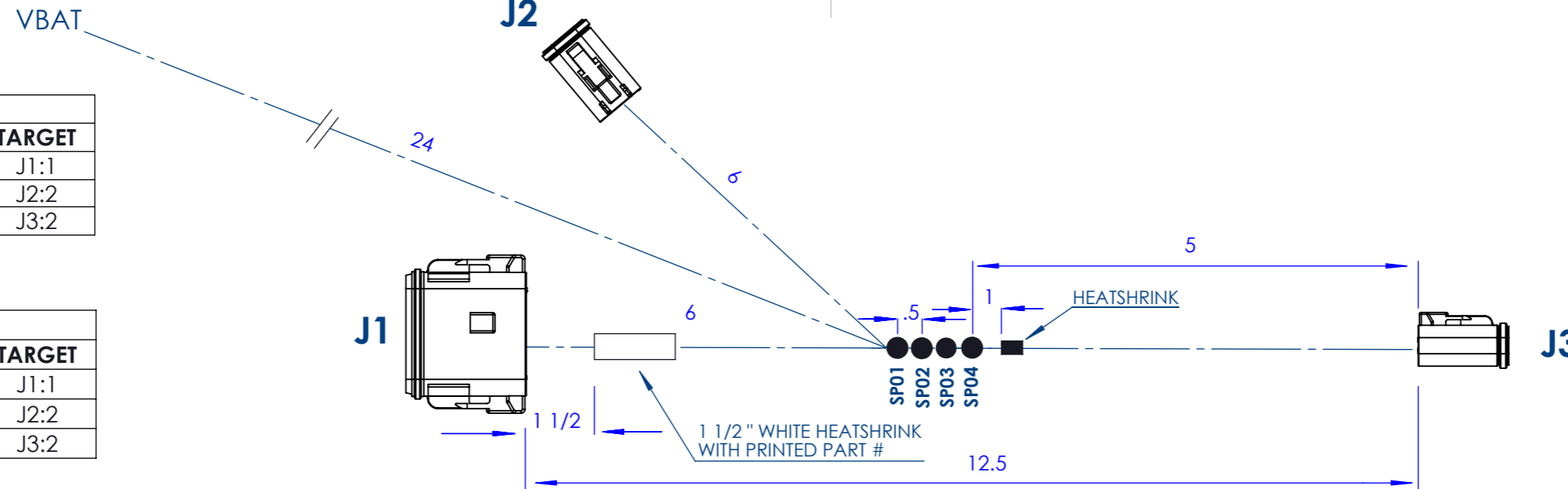


SP01	
WIRE	TARGET
VBAT	J1:1
VBAT	J2:2
VBAT	J3:2

SP02	
WIRE	TARGET
GND	J1:1
GND	J2:2
GND	J3:2

SP03	
WIRE	TARGET
CAN HI	J1:1
CAN HI	J2:2
CAN HI	J3:2


SP04	
WIRE	TARGET
CAN LO	J1:1
CAN LO	J2:2
CAN LO	J3:2



J1		J2		J3		WIRE BREAK OUT TO FUSE BOX	SPLICES	WIRE				
UNSPECIFIED		TO T- CASE CONTROLLER HARNESS		TO VEHICLE CAN & GND				ID	TWISTED PAIRS*	COLOR	AWG	LENGTH (INCH)
DEUTSCH DT06-12SC-P012		DEUTSCH DT06-4S		DEUTSCH DT06-4S								
PIN #	CODE	PIN #	CODE	PIN #	CODE							
1	J			2	J		SP02	GND	A	BLACK	18	15
		2	J				SP02	GND	C	BLACK	18	8.5
12	J					WIRE BREAK OUT	SP01	VBAT	A	RED	18	31.25
		1	J				SP01	VBAT	C	RED	18	8
2	J			3	J		SP03	CAN HI	B	YELLOW	18	15
		3	J				SP03	CAN HI	D	YELLOW	18	9
11	J			4	J		SP04	CAN LO	B	GREEN	18	15
		4	J				SP04	CAN LO	D	GREEN	18	10
W12S-P012		W4S		W4S		WEDGE LOCK PLUG						
0413-217-1605				0413-217-1605								

PIN CODE	PART #	TOTAL
J	DEUTSCH 0462-201-16141	11

\*IF APPLICABLE TWISTING SHOULD NOT BE LESS THAN ONE TWIST PER INCH UNLESS OTHERWISE SPECIFIED  
ALL SPLICES SHOULD BE COVERED WITH APPROPRIATE HEATSHRINK



THIRD ANGLE PROJECTION

SCALE: NONE

DO NOT SCALE DRAWING REVISION 1.0

**621 Technologies inc.**

**AXLETECH T-CASE IN DASH HARNESS FOR NAVISTAR TRUCK**

DWG NO. **AATTC-001-H8** A3

DIMENSIONS ARE IN INCHES UNLESS UNTIL SPECIFIED SHEET 2 OF 2

NAME	SIGNATURE	DATE	
DRAWN Charles Jacob	CJ	02/22/19	<p>All data and drawings are sent without acknowledgement of a legal obligation, without guarantee of completeness and without promise of warranty. The data provided were ascertained using extreme care. However, possible sources of error cannot be excluded completely. We therefore do not accept any responsibility for damage and costs that may result from the use of these data. Binding data are to be taken exclusively from our drawings that are subject to confirmation. These contents are confidential and property of 621 inc., so it must not be copied or submitted to third parties for use or examination.</p>
CHK'D Alexandr belii	AB	02/22/19	
APPV'D DAN LATON	DL	02/28/19	
MFG			
Q.A			

Dimensions are approximate. For representation only. Tolerances except where otherwise stated .X = +/- 0.25