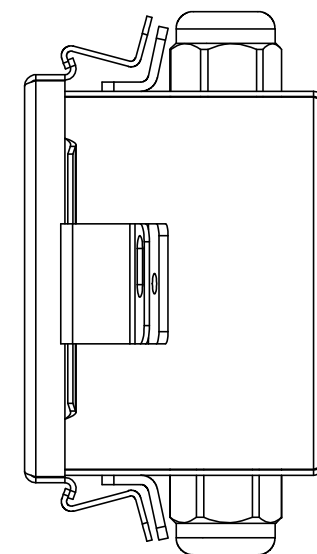
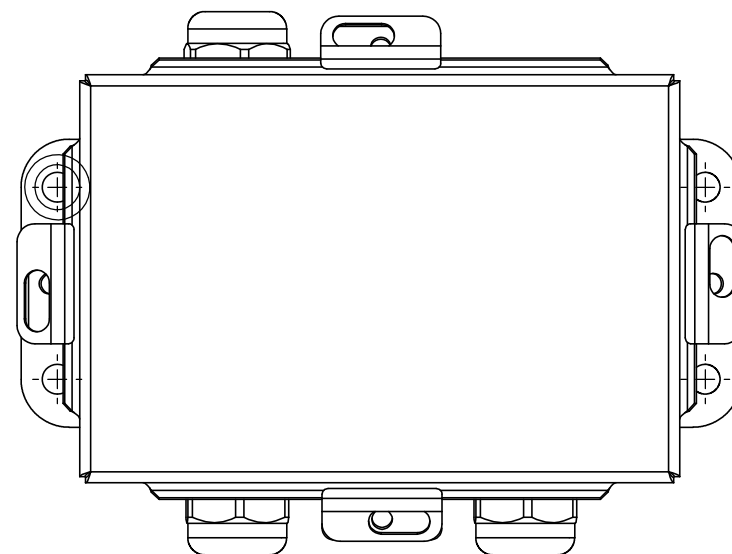
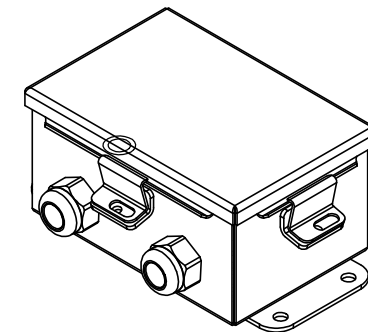
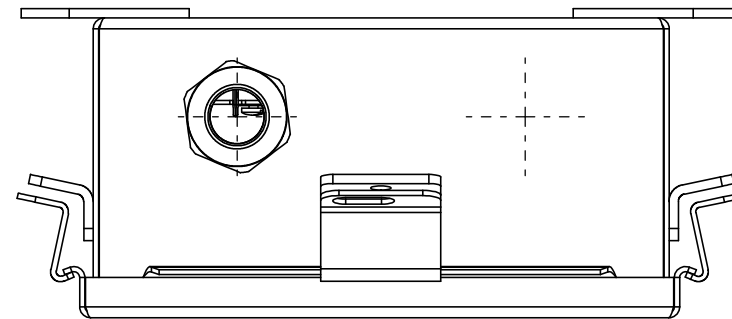


DISTRIBUTION STATEMENT D:
 DISTRIBUTION AUTHORIZED TO
 DEPARTMENT OF DEFENSE (DOD) AND U.S.
 DOD CONTRACTORS ONLY; (CRITICAL
 TECHNOLOGY), 16 NOVEMBER 2015. OTHER
 REQUESTS SHALL BE REFERRED TO PEO
 SHIPS (PMS377), WASHINGTON NAVY YARD,
 1333 ISAAC HULL AVE., SE, WASHINGTON,
 DC 20376-2101.

WARNING
 THIS DOCUMENT CONTAINS TECHNICAL
 DATA WHOSE EXPORT IS RESTRICTED BY
 THE ARMS EXPORT CONTROL ACT (TITLE 22,
 U.S.C. SEC. 2751, ET. SEQ.) OR THE EXPORT
 ADMINISTRATION ACT OF 1979, AS
 AMENDED, (TITLE 50, U.S.C., APP. 2401
 ET. SEQ.). VIOLATIONS OF THESE EXPORT
 LAWS ARE SUBJECT TO SEVERE CRIMINAL
 PENALTIES. DISSEMINATE IN ACCORDANCE
 WITH THE PROVISIONS OF OPNAVINST
 5510.161.

DESTRUCTION NOTICE:
 FOR UNCLASSIFIED, LIMITED DOCUMENTS,
 DESTROY BY ANY METHOD THAT WILL
 PREVENT DISCLOSURE OF CONTENTS OR
 RECONSTRUCTION OF THE DOCUMENT. FOR
 CLASSIFIED INFORMATION, DESTROY IN
 ACCORDANCE WITH DOD 5220.22-M,
 NATIONAL INDUSTRIAL SECURITY PROGRAM
 OPERATIONAL MANUAL OR SECNAVINST
 5510.36A, DEPARTMENT OF THE NAVY
 INFORMATION SECURITY PROGRAM.

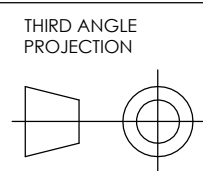


HOFFMAN CLAMP COVER 6X4X3
 ALUMINUM JUNCTION BOX
 PER MIL-E-2036

EAR CONTROLLED
 CLASSIFIED UNDER ECCN 8E609.a

© 2016
 Fabco Automotive Corporation

This drawing is the property of Fabco
 Automotive Corp. and is subject to return
 upon request. The proprietary information
 provided is confidential and
 is not to be disclosed, copied,
 reproduced, or used for man-
 ufacturing purposes without
 the express written permission
 of Fabco Automotive Corp.



- UNLESS OTHERWISE SPECIFIED:
1. ALL MACHINED SURFACES FINISH 125 μin.
 2. ALL MACHINED INSIDE CORNERS R.030 MAX.
 3. FOR UN-DIMENSIONED FEATURES ASSUME SYMMETRY.


TOLERANCES ON ALL DIMS.
 UNLESS OTHERWISE NOTED:

← INCH →

- 1 - PLACE DIMS ± .03
- 2 - PLACE DIMS ± .01
- 3 - PLACE DIMS ± .005
- 4 - PLACE DIMS ± .0005
- ANGLES ± .5 DEG.

MACHINED DIAMETERS
 CONCENTRIC WITHIN .004 T.I.R.

REMOVE ALL BURRS
 AND SHARP EDGES

A		RELEASE FOR MANUFACTURE		TT	11-19-13
CHANGE	DESCRIPTION			BY	DATE
NAME		JUNCTION BOX		 12623 Newburgh Road Livonia, Michigan, 48150	
MATERIAL		5052 ALUMINUM			
HEAT TREAT		-			
DRAWN BY	TT	CK'D. BY	-	DWG. NO. 506-85-4	
DATE DRAWN	11-19-13	DATE CK'D	-		
WEIGHT	LBS	SCALE	1:2		
SHEET 1 OF 1					