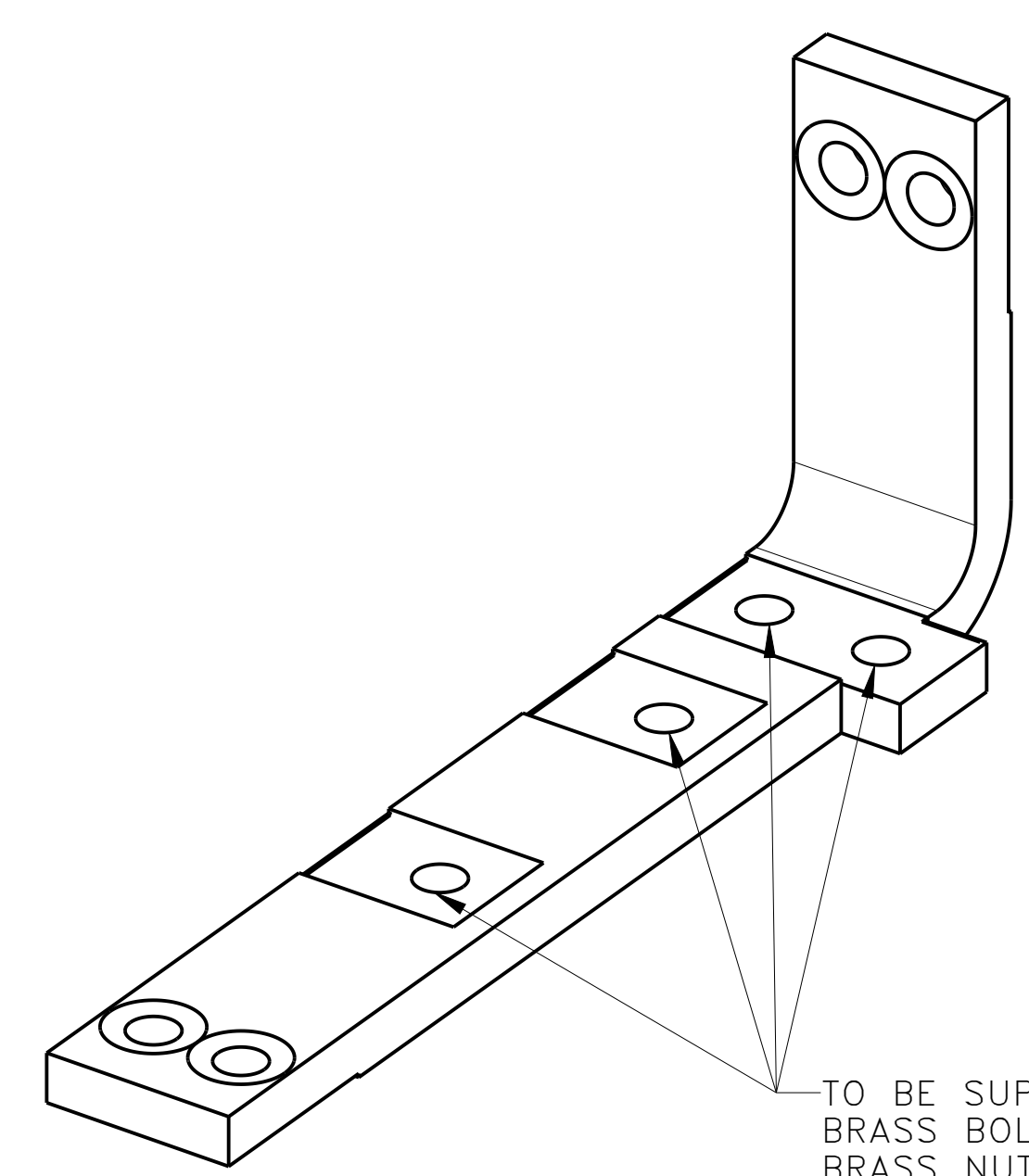
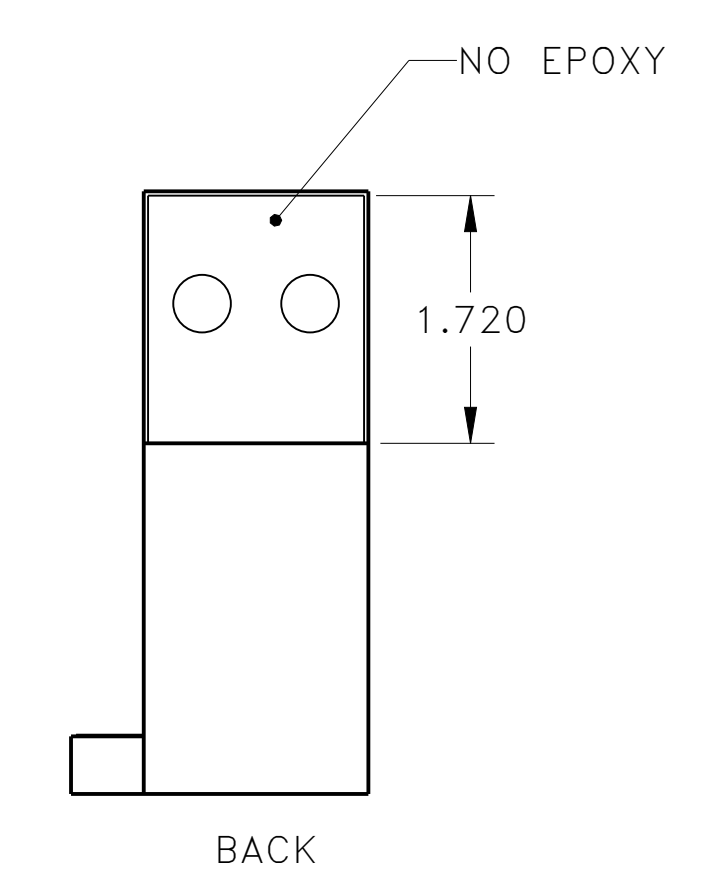
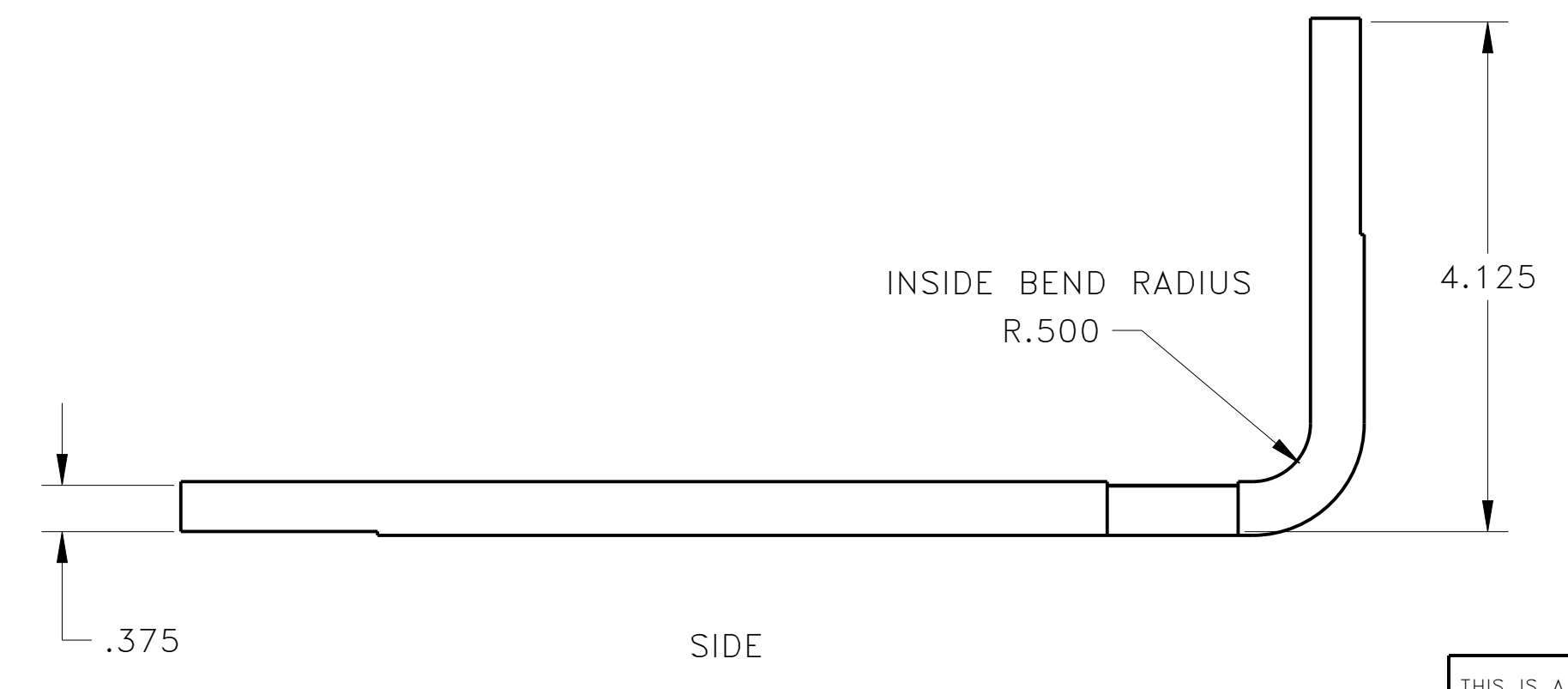
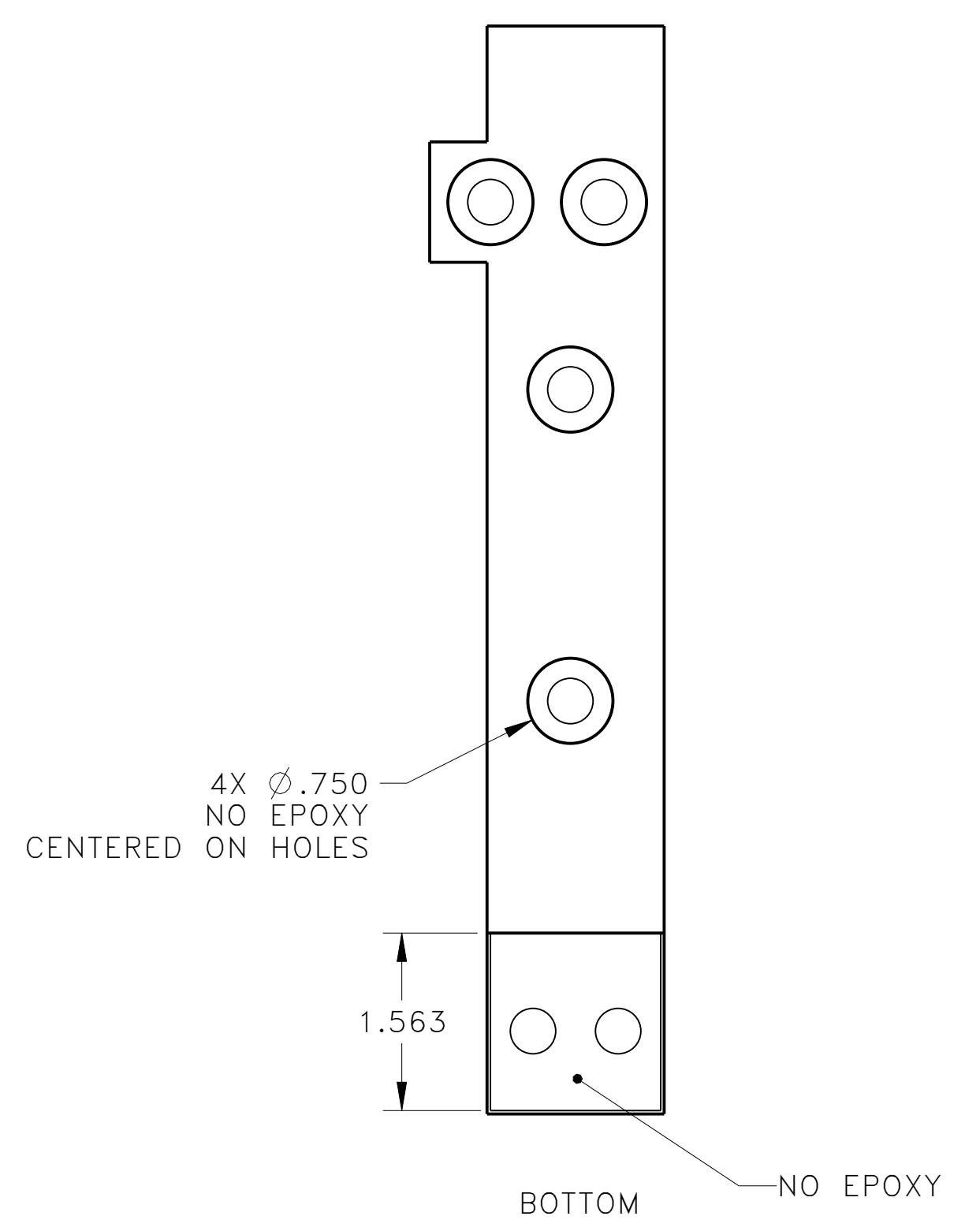
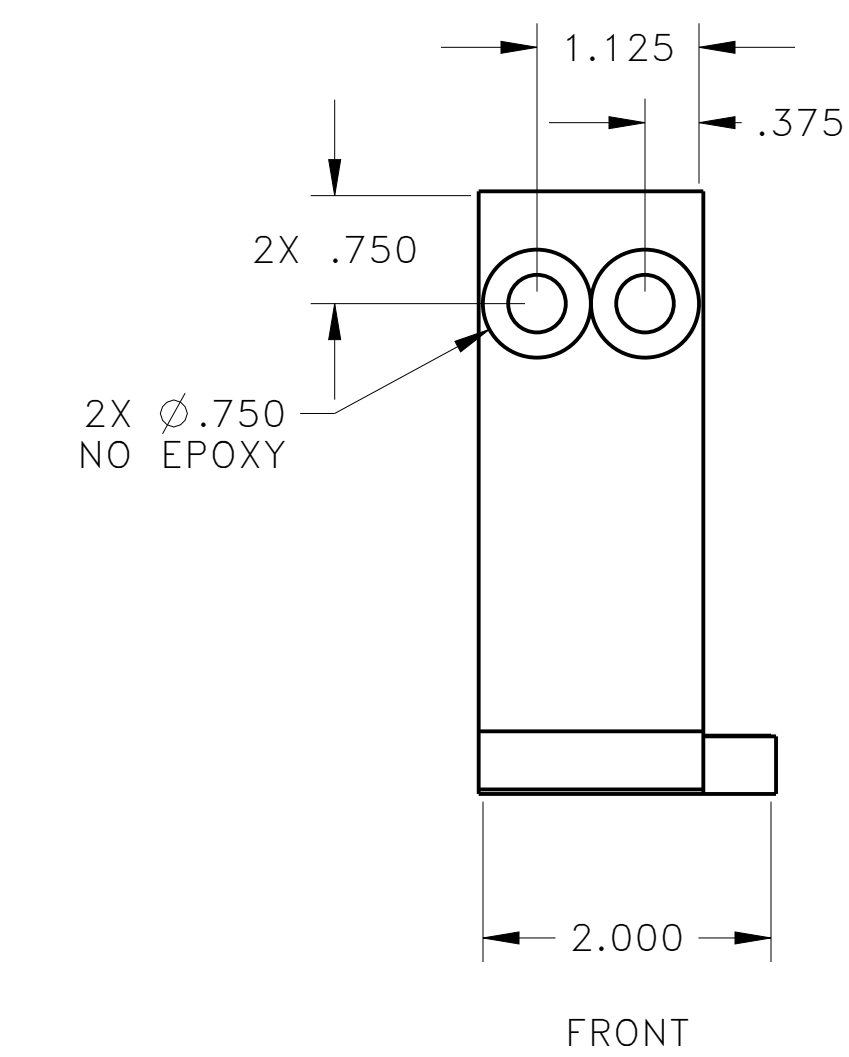
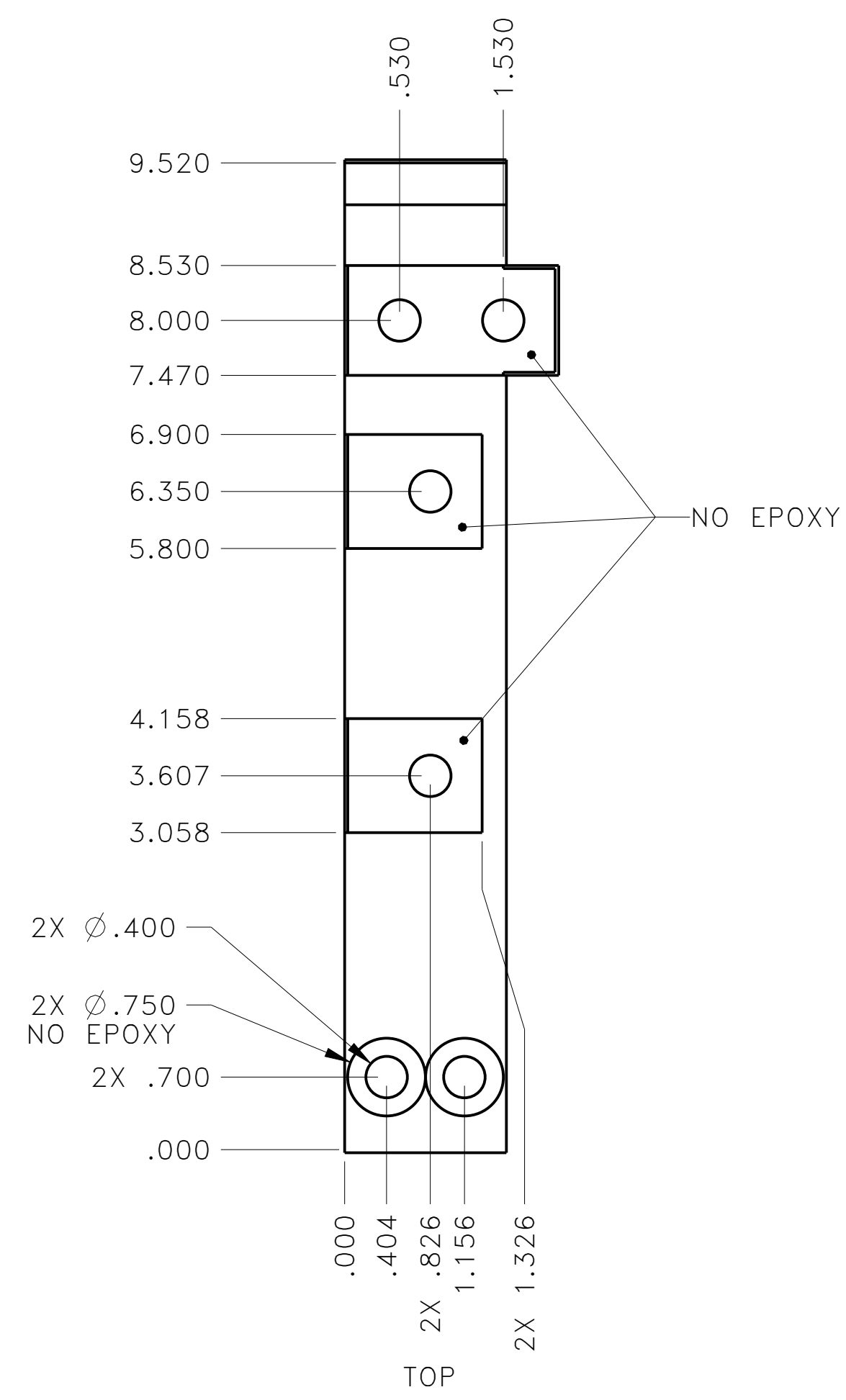


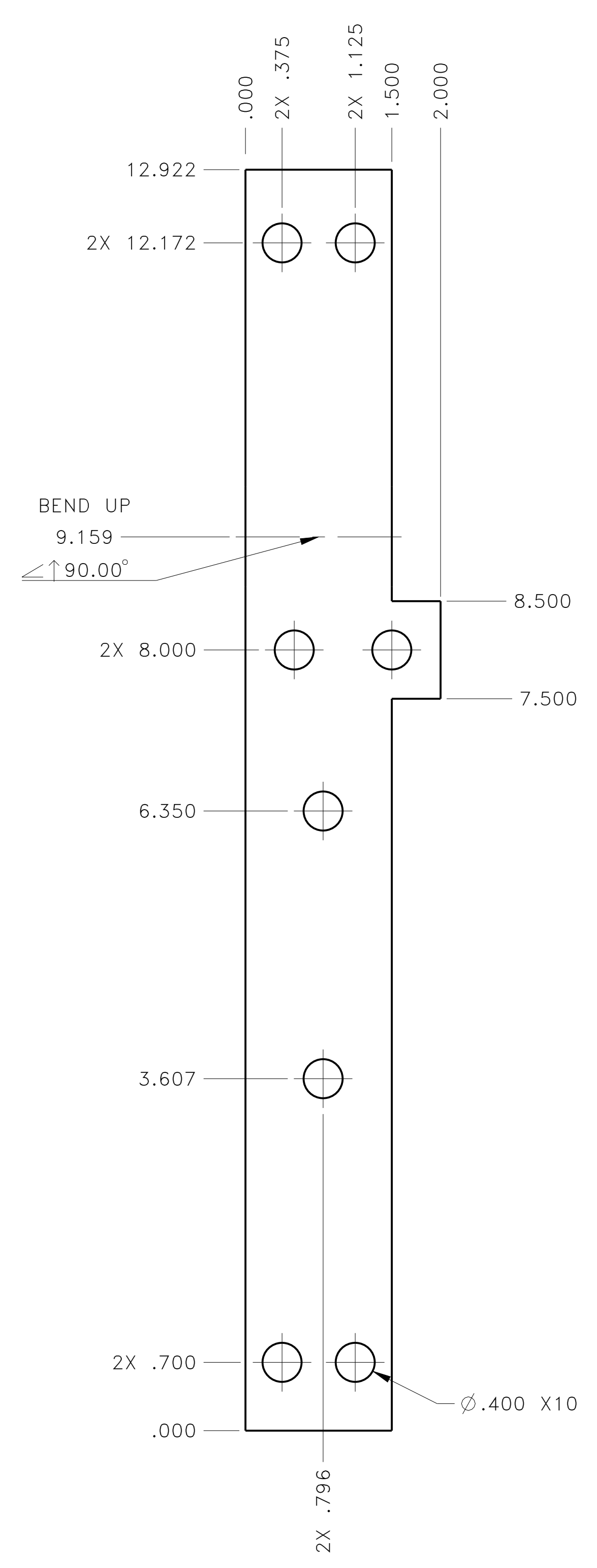
NOTES:

1. APPLICABLE STANDARDS / SPECIFICATIONS:
A. ASME Y14.5-2009 DIMENSIONING AND TOLERANCING
2. ITEM IDENTIFICATION:
MARK OR ATTACH A LABEL TO INDICATE PART NUMBER AND REVISION LEVEL OF COMPONENT.
3. TO BE MADE OUT OF TIN PLATED COPPER WITH EPOXY COVERING ALL SURFACES EXCLUDING WHERE CONTACTS ARE MADE.

REVISION HISTORY				
ZONE	REV	DESCRIPTION	DATE	APPROVED BY
	C	ECO 37782	2020-AUG-05	GCRET



TO BE SUPPLIED 4X:
BRASS BOLT 3/8"-18 X 1.0"
BRASS NUT 3/8"-18



THIS IS A COMPUTER GENERATED DRAWING. DO NOT UPDATE MANUALLY.
E-ONE, INC. PROPRIETARY
DISTRIBUTION STATEMENT:
THIS DOCUMENT CONTAINS E-ONE PROPRIETARY DATA THAT IS PRIVATE AND PRIVILEGED. THIS DOCUMENT SHALL BE MAINTAINED IN CONFIDENCE AND SHALL NOT BE USED FOR MANUFACTURE, DISCLOSED, OR REPRODUCED IN WHOLE OR IN PART WITHOUT THE EXPRESSED WRITTEN CONSENT OF E-ONE, INC.

INTERPRET DRAWING PER ASME Y14.5-2009
UNLESS OTHERWISE SPECIFIED DIMENSIONS ARE IN INCHES
TOLERANCES
ANGLES ± .1°
FRACTIONS ± 1/32
DECIMALS ± .01, .XX .06, .XXX .031
BROKEN EDGES .015 MAX.
FILLETS R.015 MAX.
PART(S) SHALL BE FREE OF BURRS
SURFACE ROUGHNESS 125/
DO NOT SCALE THIS DRAWING
THIRD ANGLE PROJECTION

E-ONE	
DATE	2020-JAN-21
DRAWN BY	CGLOETZNER
ENGINEER	
CHECKED BY	GCRET
DRAWING APPROVAL	GCRET
DESIGN APPROVAL	GCRET
SIMILAR TO	

E-ONE, INC. 1601 S.W. 37TH AVENUE OCALA, FLORIDA 34474			
BAR RISER MPD			
SIZE	CAGE CODE	DRAWING NUMBER	
D	8P082	1106349	
SCALE	.750	UNIT WT	SHEET 1 OF 1