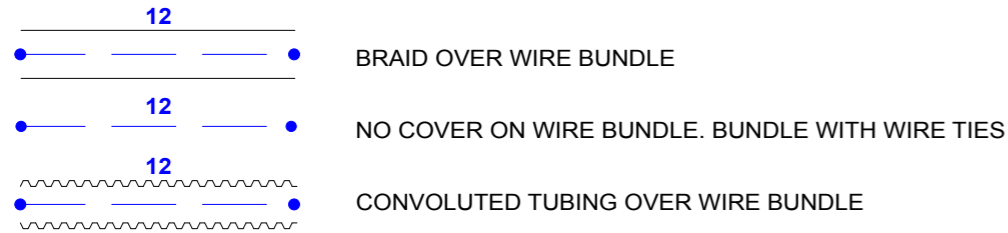


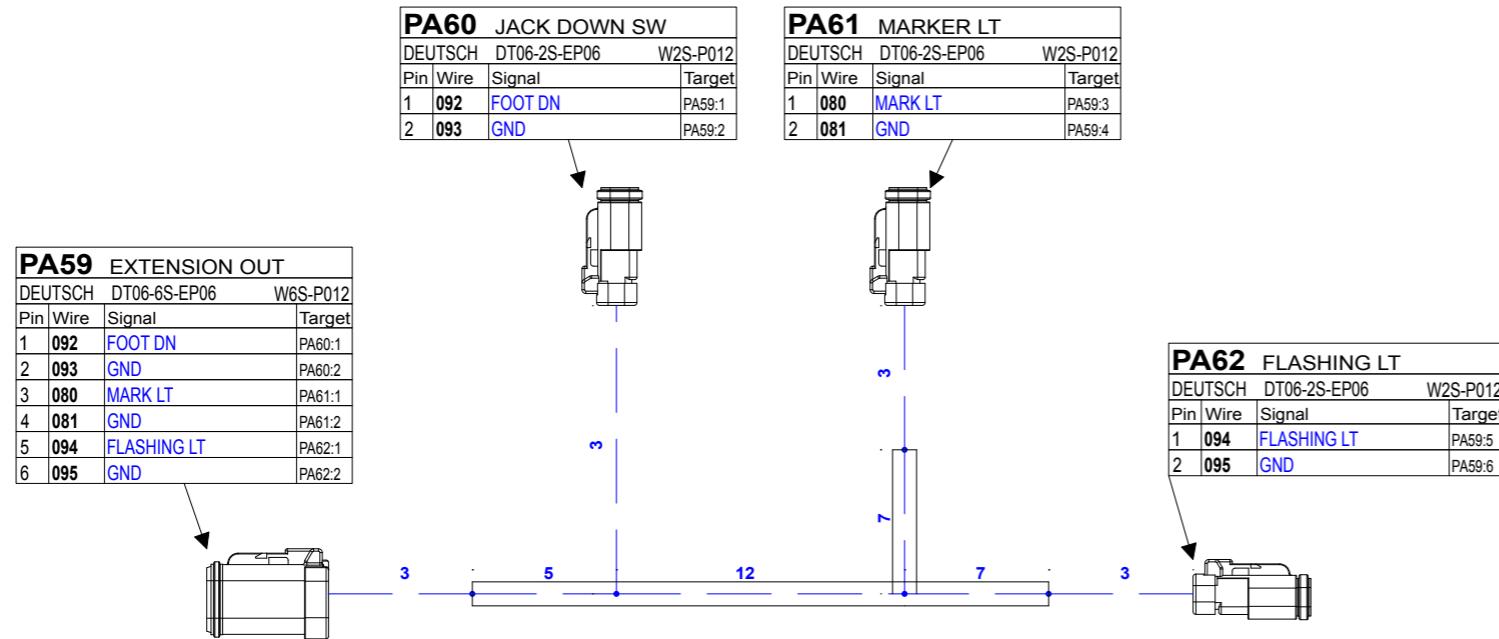
NOTES:

1. PLUG ALL UNUSED CAVITIES IN ALL CONNECTORS.

2. GRAPHIC SYMBOLS FOR WIRE BUNDLE.



WIRE LIST				FROM				TO				REF ONLY	
WIRE	SIGNAL	COLOR	AWG	CONN	CAV	TERMINAL	SEAL	CONN	CAV	TERMINAL	SEAL	LGTH	WIRE
080	MARK LT	VIOLET	AWG 18	PA59	3	1062-16-0122		PA61	1	1062-16-0122		32.3	080
081	GND	BLACK	AWG 18	PA59	4	1062-16-0122		PA61	2	1062-16-0122		32.3	081
092	FOOT DN	YELLOW	AWG 18	PA59	1	1062-16-0122		PA60	1	1062-16-0122		13.3	092
093	GND	BLACK	AWG 18	PA60	2	1062-16-0122		PA59	2	1062-16-0122		13.3	093
094	FLASHING LT	VIOLET	AWG 18	PA59	5	1062-16-0122		PA62	1	1062-16-0122		32.3	094
095	GND	BLACK	AWG 18	PA62	2	1062-16-0122		PA59	6	1062-16-0122		32.3	095



APPLICABLE STANDARDS / SPECIFICATIONS
HARNNESS SPECIFICATIO DRAWING 606000

<small>THIS DRAWING IS THE PROPERTY OF EMERGENCY ONE, INC. AND IS NOT TO BE REPRODUCED OR TRANSMITTED IN ANY FORM OR BY ANY MEANS, ELECTRONIC OR MECHANICAL, INCLUDING PHOTOCOPYING, RECORDING, OR BY ANY INFORMATION STORAGE AND RETRIEVAL SYSTEM, WITHOUT THE WRITTEN PERMISSION OF EMERGENCY ONE, INC. ALL RIGHTS ARE RESERVED.</small>	DO NOT SCALE DRAWING DIMENSIONS ARE IN INCHES UNLESS OTHERWISE SPECIFIED.		EMERGENCY ONE INC OCALA FL USA	
	DATE OF RELEASE		HARN JACK BEAM	
	DRAWN BY T CUPPY	DATE 8/14/2018	SIZE B	
	CHECKER D SMITH	DESIGN APPROVAL G CRET	SCALE NONE	SHEET 1 OF 1

THIRD ANGLE PROJECTION