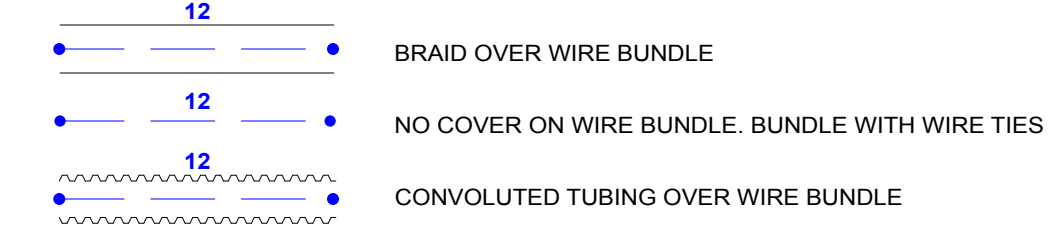


REV	DESCRIPTION	DATE	DRAWN BY
A.1	INITIAL RELEASE	8/28/2018	D SMITH

- NOTES:
1. PLUG ALL UNUSED CAVITIES IN ALL CONNECTORS.
 2. GRAPHIC SYMBOLS FOR WIRE BUNDLE.



3. APPLY HEATSHRINK TO ALL RING TERMINAL CRIMPS. COVER EXPOSED COPPER AND EXTEND OVER WIRE A MIN. 0.5 INCH.
4. MPLX HI, MPLX LO AND MPLX SHLD SHALL BE SHIELDED TWISTED PAIR CABLE. USE E-ONE P/N 1084583. LABEL OUTER JACKET OF CABLE "MPLX". REFERENCE DETAIL A FOR TERMINATION.
5. J1939+, J1939-, AND J1939 SHLD SHALL BE SHIELDED TWISTED PAIR CABLE. USE E-ONE P/N 1084583 LABEL OUTER JACKET OF CABLE "J1939". REFERENCE DETAIL A FOR TERMINATION.
6. INTERCOM 1, INTERCOM 2 AND INTERCOM 3 SHALL BE RED/BLACK/WHITE TWISTED TRIPLE, 18 AWG, GXL. NO JACKET REQUIRED. TWIST LAY LENGTH TO BE NOMINAL ONE TWIST PER INCH.
7. RS232+ AND RS232- SHALL BE RED/BLACK TWISTED PAIR, 18 AWG, GXL, NO JACKET REQUIRED. TWIST LAY LENGTH TO BE NOMINAL ONE TWIST PER INCH.
8. CAN 3 HI AND CAN 3 LO SHALL BE YELLOW/GREEN TWISTED PAIR, 18 AWG, GXL, NO JACKET REQUIRED. TWIST LAY LENGTH TO BE NOMINAL ONE TWIST PER INCH.

WIRE LIST		FROM					TO				REF ONLY		
WIRE	SIGNAL	COLOR	AWG	CONN	CAV	TERMINAL	SEAL	CONN	CAV	TERMINAL	SEAL	LGTH	WIRE
001	SIG PDC	WHITE	AWG 18	JA36	5	33012-2001		JA37	H	12010300		15.7	001
002	OFF SIG PDC	WHITE	AWG 18	JA36	2	33012-2001		JA37	C	12010300		15.7	002
003	ON SIG PDC	GREY	AWG 18	JA36	4	33012-2001		JA37	B	12010300		15.7	003
005	VLV MASTER PWR	RED	AWG 6	PA02	3	0462-203-04141		XA38	1			82.7	005
006	GND	BLACK	AWG 16	PA11	3	1062-16-0122		PA34	1	1062-16-0122		68.3	006
007	GND	BLACK	AWG 16	PA20	2	1062-16-0122		PA34	2	1062-16-0122		25.3	007
013	CRADLE PROX NC	YELLOW	AWG 18	PA32	2			PA14	1	1062-16-0122		486.2	013
014	CRADLE PROX NO	YELLOW	AWG 18	PA32	4			PA14	2	1062-16-0122		486.2	014
015	CAN HI	YELLOW	AWG 20	JA17	A	0460-202-1631		PA11	5	0462-201-1631		71.3	015
016	CAN LO	GREEN	AWG 20	JA17	B	0460-202-1631		PA11	6	0462-201-1631		71.3	016
017	GND	BLACK	AWG 16	JA17	C	0460-202-1631		PA11	4	1062-16-0122		71.3	017
018	GND	BLACK	AWG 16	PA34	3	1062-16-0122		JA16	C	0460-202-1631		105.3	018
019	GND	BLACK	AWG 18	PA08	2	1062-16-0122		PA34	4	1062-16-0122		78.3	019
020	GND	BLACK	AWG 16	PA34	5	1062-16-0122		PA31	2	1062-20-0122		400.3	020
021	GND	BLACK	AWG 14	PA34	6	1062-14-0122		PA30	2	1062-14-0122		400.3	021
023	GND	BLACK	AWG 18	PA34	8	1062-16-0122		JA36	1	33012-2001		31.8	023
024	GND MAIN	BLACK	AWG 6	PA02	4	0462-203-04141		XA33	1			65.7	024
025	PTO PWR OUT	BLUE	AWG 16	JA01	18	0460-202-16141		JA27	2	1060-16-0122		512.3	025
026	JUMPER 1	WHITE	AWG 16	JA27	3	1060-16-0122		JA27	4	1060-16-0122		2.3	026
027	GND	BLACK	AWG 18	PA09	2	1062-16-0122		PA34	7	1062-16-0122		116.3	027
029	INTERCOM 1	RED	AWG 18	JA01	9	0460-202-1631		PA31	4	1062-20-0122		473.3	029
030	INTERCOM 2	BLACK	AWG 18	JA01	10	0460-202-1631		PA31	5	1062-20-0122		473.3	030
031	INTERCOM 3	WHITE	AWG 18	JA01	11	0460-202-1631		PA31	6	1062-20-0122		473.3	031
032	CNTRL PWR LH	ORANGE	AWG 16	PA03	13	0462-201-16141		PA06	1	1062-16-0122		68.8	032
033	LIN	YELLOW	AWG 18	PA06	4	1062-16-0122		PA03	14	0462-201-16141		68.8	033
034	GND	BLACK	AWG 16	PA03	15	0462-201-16141		PA06	3	1062-16-0122		68.8	034
035	CNTRL PWR RH	ORANGE	AWG 16	PA07	1	1062-16-0122		PA05	1	1062-16-0122		112.3	035
036	LIN	YELLOW	AWG 18	PA05	4	1062-16-0122		PA07	3	1062-16-0122		112.3	036
037	GND	BLACK	AWG 16	PA05	3	1062-16-0122		PA07	4	1062-16-0122		112.3	037
043	JACK PWR LH FRT	ORANGE	AWG 14	PA03	1	0462-209-16141		PA25	1	1062-14-0122		416.8	043
044	LIN	YELLOW	AWG 18	PA03	2	0462-201-16141		PA25	4	1062-16-0122		416.8	044
045	GND	BLACK	AWG 14	PA25	3	1062-14-0122		PA03	3	0462-209-16141		416.8	045
046	JACK PWR LH RR	ORANGE	AWG 16	PA23	1	1062-16-0122		PA03	6	0462-201-16141		171.8	046
047	LIN	YELLOW	AWG 18	PA03	5	0462-201-16141		PA23	4	1062-16-0122		171.8	047
048	GND	BLACK	AWG 16	PA23	3	1062-16-0122		PA03	4	0462-201-16141		171.8	048
049	JACK PWR RH FRT	ORANGE	AWG 14	PA26	1	1062-14-0122		PA03	7	0462-209-16141		376.8	049
050	LIN	YELLOW	AWG 18	PA26	4	1062-16-0122		PA03	8	0462-201-16141		376.8	050
051	GND	BLACK	AWG 14	PA26	3	1062-14-0122		PA03	9	0462-209-16141		376.8	051
052	JACK PWR RH RR	ORANGE	AWG 16	PA24	1	1062-16-0122		PA03	12	0462-201-16141		133.8	052
053	LIN	YELLOW	AWG 18	PA24	4	1062-16-0122		PA03	11	0462-201-16141		133.8	053
054	GND	BLACK	AWG 16	PA24	3	1062-16-0122		PA03	10	0462-201-16141		133.8	054
067	RS 232 TXD T/T	RED	AWG 18	JA01	4	0460-202-16141		JA16	A	0460-202-1631		198.3	067
068	RS 232 RXD T/T	BLACK	AWG 18	JA01	5	0460-202-16141		JA16	B	0460-202-1631		198.3	068
132	J1939 +	YELLOW	AWG 20	PA42	A	0462-201-1631		PA10	1	0462-201-1631		51.3	132
133	J1939 -	GREEN	AWG 20	PA42	B	0462-201-1631		PA10	2	0462-201-1631		51.3	133
134	J1939 SHIELD	GREY	AWG 18	PA42	C	0462-201-1631		PA10	3	0462-201-1631		51.3	134
004A	AER PWR 3	ORANGE	AWG 14	SP1	L			PA03	19	0462-209-16141		50.7	004A
004B	AER PWR 3	ORANGE	AWG 16	SP1	R			PA31	1	1062-20-0122		366.2	004B
004E	AER PWR 3	ORANGE	AWG 14	SP1	R			PA30	1	1062-14-0122		366.2	004E
004F	AER PWR 1	ORANGE	AWG 16	PA03	18	0462-201-16141		PA11	1	1062-16-0122		44.8	004F
004G	AER PWR 3	ORANGE	AWG 18	SP1	L			PA20	1	1062-16-0122		37.2	004G
008A	PUMP PANEL LTS	GREEN	AWG 16	SP9	L			PA13	4	1062-16-0122		24.2	008A
008B	PUMP PANEL LTS	GREEN	AWG 14	SP9	R			PA30	6	1062-14-0122		382.3	008B
008C	PUMP PANEL LTS	GREEN	AWG 18	SP9	R			PA09	1	1062-16-0122		72.2	008C
008D	PUMP PANEL LTS	GREEN	AWG 18	SP9	R			PA08	1	1062-16-0122		40.2	008D
009A	AER PWR 2	PINK	AWG 16	PA12	1	1062-16-0122		SP15	L			329.2	009A
009B	AER PWR 2	PINK	AWG 18	SP15	R			PA28	5	1062-16-0122		97.2	009B
009C	AER PWR 2	PINK	AWG 18	SP15	R			PA32	1			163.0	009C
010A	GND	BLACK	AWG 16	PA12	3	1062-16-0122		SP16	L			327.2	010A
010B	GND	BLACK	AWG 18	SP16	R			PA28	6	1062-16-0122		99.2	010B
010C	GND	BLACK	AWG 18	SP16	R			PA32	3			165.0	010C
011A	CAN 3 HI	YELLOW	AWG 18	SP13	L			PA10	6	0462-201-1631		30.2	011A
011B	CAN 3 HI	YELLOW	AWG 18	PA20	3	0462-201-1631		SP13	L			37.2	011B
011C	CAN 3 HI	YELLOW	AWG 18	SP17	L			SP13	R			374.0	011C
011D	CAN 3 HI	YELLOW	AWG 18	SP17	R			PA28	1	0462-201-1631		16.2	011D
011E	CAN 3 HI	YELLOW	AWG 18	SP17	L			PA30	3	1062-16-0122		154.2	011E
012A	CAN 3 LO	GREEN	AWG 18	SP14	L			PA10	5	0462-201-1631		28.2	012A
012B	CAN 3 LO	GREEN	AWG 18	PA20	4	0462-201-1631		SP14	L			39.2	012B
012C	CAN 3 LO	GREEN	AWG 18	SP18	L			SP14	R			378.0	012C
012D	CAN 3 LO	GREEN	AWG 18	SP18	R			PA28	2	0462-201-1631		14.2	012D
012E	CAN 3 LO	GREEN	AWG 18	SP18	L			PA30	4	1062-16-0122		156.2	012E
028A	BATTERY HOT	RED	AWG 10	SP12	L			JA01	1	0460-204-08141		119.2	028A
028B	BATTERY HOT	RED	AWG 14	SP12	R			PA19	A	1062-14-0122		49.2	028B
028C	BATTERY HOT	RED	AWG 14	PA35	1	54001401		SP12	L			53.0	028C
041A	CAN 3 HI	YELLOW	AWG 18	SP5	L			PA10	7	0462-201-1631		18.2	041A
041B	CAN 3 HI	YELLOW	AWG 18	SP5	R			PA02	1	0462-201-1631		25.3	041B
041C	CAN 3 HI	YELLOW	AWG 18	SP5	R			JA01	12	0460-202-1631		139.2	041C
042A	CAN 3 LO	GREEN	AWG 18	SP6	L			PA10	8	0462-201-1631		16.2	042A
042B	CAN 3 LO	GREEN	AWG 18	SP6	R			PA02	2	0462-201-1631		23.3	042B
042C	CAN 3 LO	GREEN	AWG 18	SP6	R			JA01	13	0460-202-1631		141.2	042C
062A	PTO PWR IN	BLUE	AWG 16	SP8	R			JA27	1	1060-16-0122		112.2	062A
062B	PTO PWR IN	BLUE	AWG 16	SP8	R			PA30	8	1062-16-0122		79.2	062B
062C	PTO PWR IN	BLUE	AWG 16	SP8	L			PA18	2	114017		358.2	062C
063A	PTO PWR OUT	BLUE	AWG 16	JA01	17	0460-202-16141		SP7	L			117.2	063A
063B	PTO PWR OUT	BLUE	AWG 16	SP7	R			PA30	7	1062-16-0122		356.2	063B
063C	PTO PWR OUT	BLUE	AWG 16	SP7	R			PA18	1	114017		75.2	063C
065D	EMERGENCY PUMP	WHITE	AWG 16	JA01	14	0460-202-16141		SP11	L			117.2	065D
065E	EMERGENCY PUMP	WHITE	AWG 16	SP11	R			PA19	B	1062-16-0122		51.2	065E
065F	EMERGENCY PUMP	WHITE	AWG 14	SP11	R			XA29	1			349.5	065F
065G	EMERGENCY PUMP	WHITE	AWG 16	SP11	R			PA13	1	1062-16-0122		44.2	065G
138A	MPLX HI	YELLOW	AWG 20	SP2	R			PA22	A	0462-201-1631		24.2	138A
138B	MPLX HI	YELLOW	AWG 20	SP2	R			JA21	A	0460-202-1631		24.2	138B
138C	MPLX HI	YELLOW	AWG 20	PA10	12	0462-201-1631		SP2	L			27.2	138C
139A	MPLX LO	GREEN	AWG 20	SP3	R			PA22	B	0462-201-1631		22.2	139A
139B	MPLX LO	GREEN	AWG 20	SP3	R			JA21	B	0460-202-1631		22.2	139B
139C	MPLX LO	GREEN	AWG 20	PA10	11	0462-201-1631		SP3	L			29.2	139C
140A	MPLX SHIELD	GREY	AWG 18	SP4	R			PA22	C	0462-201-1631		2	

REV	DESCRIPTION	DATE	DRAWN BY
A.1	INITIAL RELEASE	8/28/2018	D SMITH

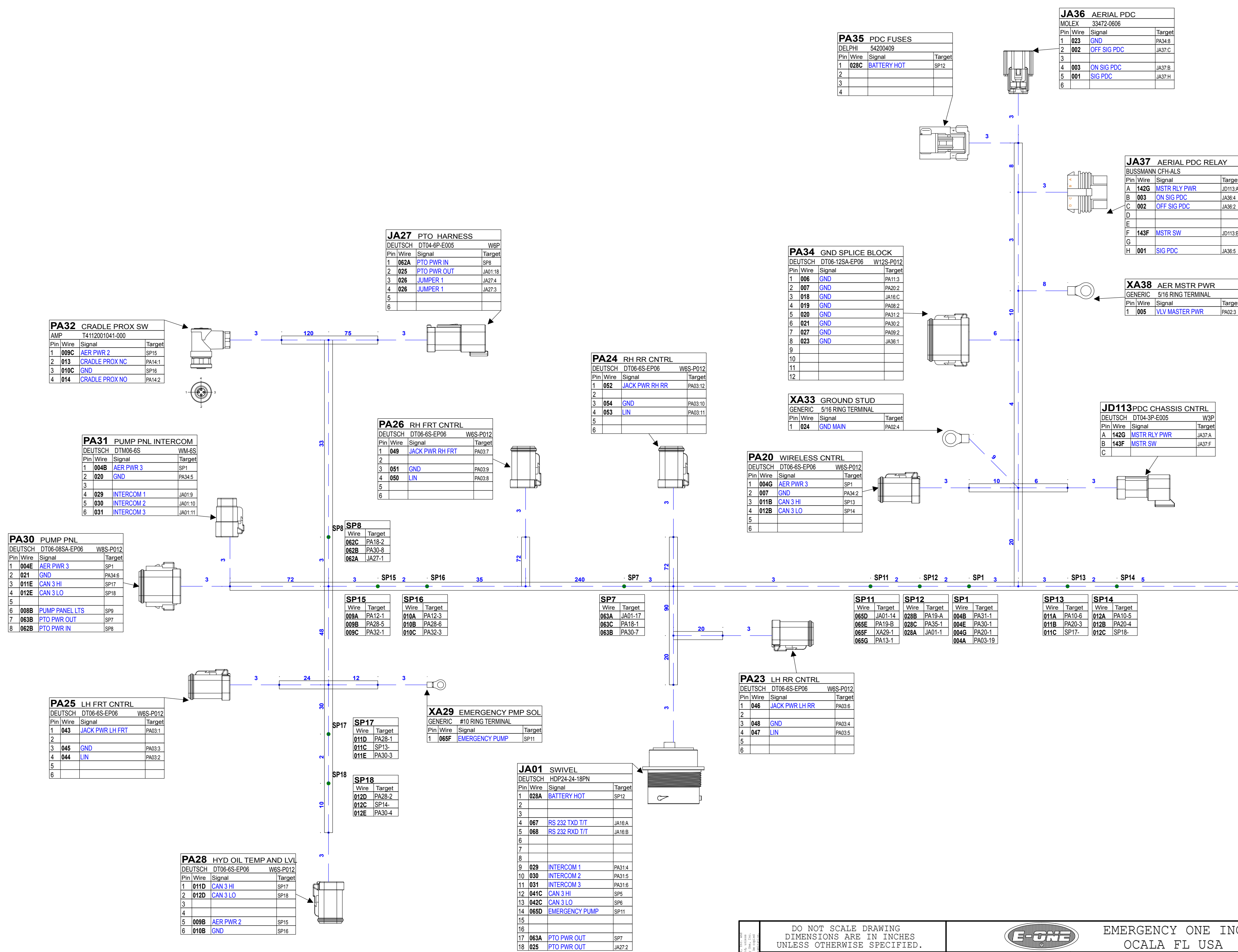
A

B

C

D

E



JA27 PTO HARNESS
DEUTSCH DT04-6P-E005 W6P

Pin	Wire	Signal	Target
1	062A	PTO PWR IN	SP8
2	025	PTO PWR OUT	JA01:18
3	026	JUMPER 1	JA27:4
4	026	JUMPER 1	JA27:3
5			
6			

PA32 CRADLE PROX SW
AMP T412001041-000

Pin	Wire	Signal	Target
1	009C	AER PWR 2	SP15
2	013	CRADLE PROX NC	PA14:1
3	010C	GND	SP18
4	014	CRADLE PROX NO	PA14:2

PA31 PUMP PNL INTERCOM
DEUTSCH DTM06-6S WM-6S

Pin	Wire	Signal	Target
1	004B	AER PWR 3	SP1
2	020	GND	PA34:5
3			
4	029	INTERCOM 1	JA01:9
5	030	INTERCOM 2	JA01:10
6	031	INTERCOM 3	JA01:11

PA30 PUMP PNL
DEUTSCH DT06-08SA-EP06 W6S-P012

Pin	Wire	Signal	Target
1	004E	AER PWR 3	SP1
2	021	GND	PA34:6
3	011E	CAN 3 HI	SP17
4	012E	CAN 3 LO	SP18
5			
6	008B	PUMP PANEL LTS	SP9
7	063B	PTO PWR OUT	SP7
8	062B	PTO PWR IN	SP8

PA25 LH FRT CNTRL
DEUTSCH DT06-6S-EP06 W6S-P012

Pin	Wire	Signal	Target
1	043	JACK PWR LH FRT	PA03:1
2			
3	045	GND	PA03:3
4	044	LIN	PA03:2
5			
6			

PA28 HYD OIL TEMP AND LVL
DEUTSCH DT06-6S-EP06 W6S-P012

Pin	Wire	Signal	Target
1	011D	CAN 3 HI	SP17
2	012D	CAN 3 LO	SP18
3			
4			
5	009B	AER PWR 2	SP15
6	010B	GND	SP16

PA26 RH FRT CNTRL
DEUTSCH DT06-6S-EP06 W6S-P012

Pin	Wire	Signal	Target
1	049	JACK PWR RH FRT	PA03:7
2			
3	051	GND	PA03:9
4	050	LIN	PA03:8
5			
6			

PA24 RH RR CNTRL
DEUTSCH DT06-6S-EP06 W6S-P012

Pin	Wire	Signal	Target
1	052	JACK PWR RH RR	PA03:12
2			
3	054	GND	PA03:10
4	053	LIN	PA03:11
5			
6			

PA20 WIRELESS CNTRL
DEUTSCH DT06-6S-EP06 W6S-P012

Pin	Wire	Signal	Target
1	004G	AER PWR 3	SP1
2	007	GND	PA34:2
3	011B	CAN 3 HI	SP13
4	012B	CAN 3 LO	SP14
5			
6			

PA23 LH RR CNTRL
DEUTSCH DT06-6S-EP06 W6S-P012

Pin	Wire	Signal	Target
1	046	JACK PWR LH RR	PA03:6
2			
3	048	GND	PA03:4
4	047	LIN	PA03:5
5			
6			

JA01 SWIVEL
DEUTSCH HDP24-24-18PN

Pin	Wire	Signal	Target
1	028A	BATTERY HOT	SP12
2			
3			
4	067	RS 232 TXD T/T	JA16:A
5	068	RS 232 RXD T/T	JA16:B
6			
7			
8			
9	029	INTERCOM 1	PA31:4
10	030	INTERCOM 2	PA31:5
11	031	INTERCOM 3	PA31:6
12	041C	CAN 3 HI	SP5
13	042C	CAN 3 LO	SP6
14	065D	EMERGENCY PUMP	SP11
15			
16			
17	063A	PTO PWR OUT	SP7
18	025	PTO PWR OUT	JA27:2

XA29 EMERGENCY PMP SOL
GENERIC #10 RING TERMINAL

Pin	Wire	Signal	Target
1	065F	EMERGENCY PUMP	SP11

SP8

Wire	Target
062C	PA18-2
062B	PA30-8
062A	JA27-1

SP15

Wire	Target
009A	PA12-1
009B	PA28-5
009C	PA32-1

SP16

Wire	Target
010A	PA12-3
010B	PA28-6
010C	PA32-3

SP7

Wire	Target
063A	JA01-17
063C	PA18-1
063B	PA30-7

SP11

Wire	Target
065D	JA01-14
065E	PA19-B
065F	XA29-1
065G	PA13-1

SP12

Wire	Target
028B	PA19-A
028C	PA35-1
028A	JA01-1

SP1

Wire	Target
004B	PA31-1
004E	PA30-1
004G	PA20-1
004A	PA03-19

SP13

Wire	Target
011A	PA10-6
011B	PA20-3
011C	SP17-

SP14

Wire	Target
012A	PA10-5
012B	PA20-4
012C	SP18-

APPLICABLE STANDARDS / SPECIFICATIONS
HARNASS SPECIFICATIO DRAWING 606000

DO NOT SCALE DRAWING
DIMENSIONS ARE IN INCHES
UNLESS OTHERWISE SPECIFIED.

THIRD ANGLE PROJECTION

EMERGENCY ONE INC
OCALA FL USA

HARN AER CHASSIS
4 JACK

DATE OF RELEASE
8/28/2018

DRAWN BY
D SMITH

CHECKER
T CUPPY

DESIGN APPROVAL
G CRET

SIMILAR TO:

SIZE
C

SCALE
NONE

SHEET 2 OF 3

A

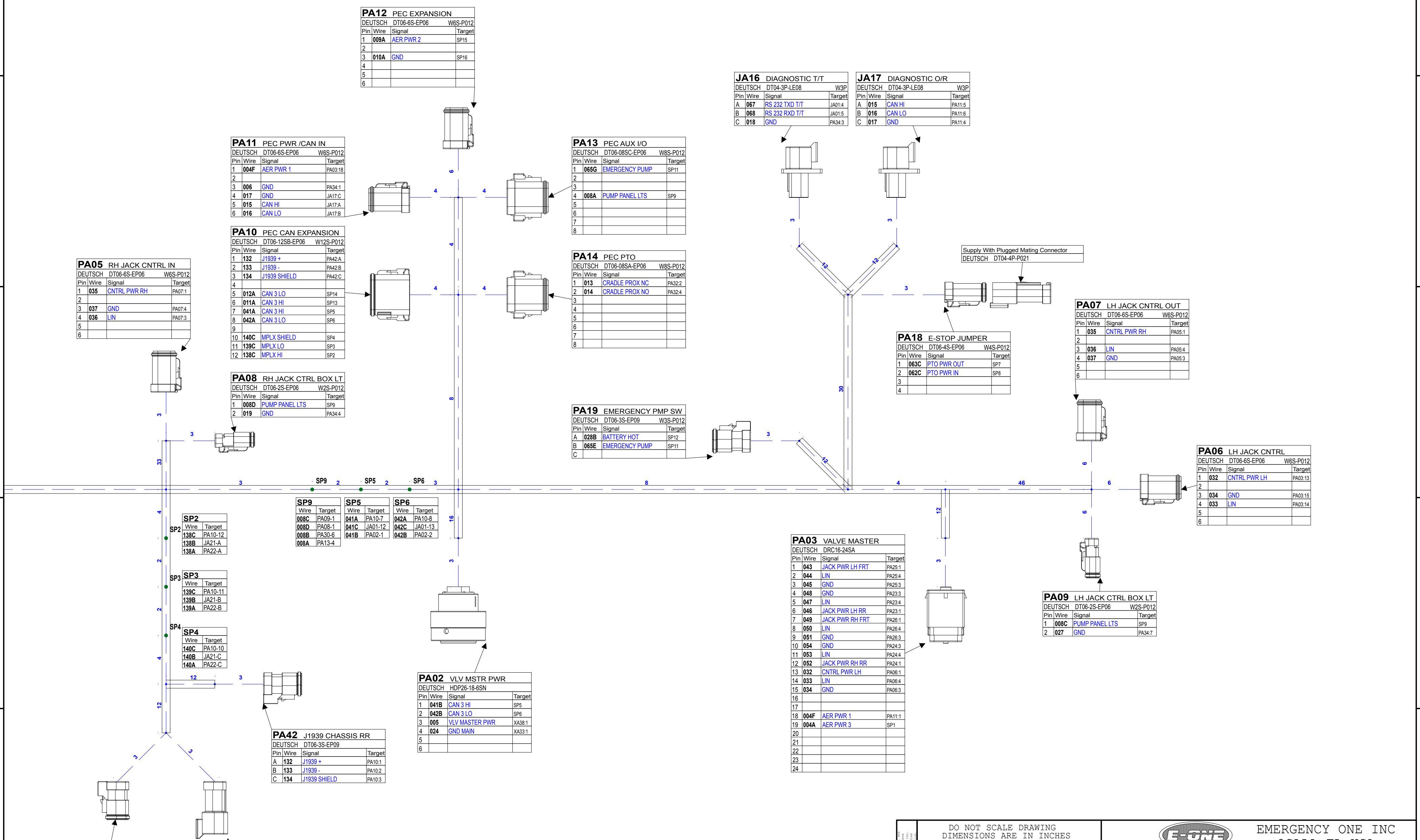
B

C

D

E

REV	DESCRIPTION	DATE	DRAWN BY
A.1	INITIAL RELEASE	8/28/2018	D SMITH



Pin	Wire	Signal	Target
A	138A	MPLX HI	SP2
B	139A	MPLX LO	SP3
C	140A	MPLX SHIELD	SP4

Pin	Wire	Signal	Target
A	132	J1939 +	PA10:1
B	133	J1939 -	PA10:2
C	134	J1939 SHIELD	PA10:3

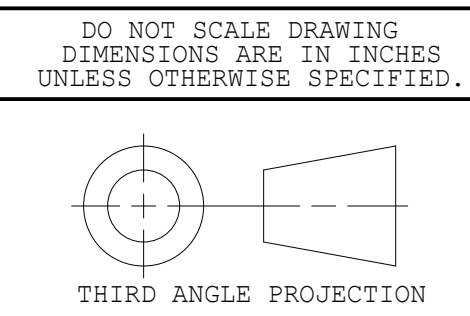
Pin	Wire	Signal	Target
1	041B	CAN 3 HI	SP5
2	042B	CAN 3 LO	SP6
3	005	VLV MASTER PWR	XA38:1
4	024	GND MAIN	XA33:1

Pin	Wire	Signal	Target
1	043	JACK PWR LH FRT	PA25:1
2	044	LIN	PA25:4
3	045	GND	PA25:3
4	048	GND	PA23:3
5	047	LIN	PA23:4
6	046	JACK PWR LH RR	PA23:1
7	049	JACK PWR RH FRT	PA26:1
8	050	LIN	PA26:4
9	051	GND	PA26:3
10	054	GND	PA24:3
11	053	LIN	PA24:4
12	052	JACK PWR RH RR	PA24:1
13	032	CNTRL PWR LH	PA06:1
14	033	LIN	PA06:4
15	034	GND	PA06:3

Pin	Wire	Signal	Target
1	008C	PUMP PANEL LTS	SP9
2	027	GND	PA34:7

Pin	Wire	Signal	Target
1	032	CNTRL PWR LH	PA03:13
2	034	GND	PA03:15
3	033	LIN	PA03:14

APPLICABLE STANDARDS / SPECIFICATIONS
HARNES SPECIFICATIO DRAWING 606000



DO NOT SCALE DRAWING
DIMENSIONS ARE IN INCHES
UNLESS OTHERWISE SPECIFIED.

EMERGENCY ONE INC
OCALA FL USA

HARN AER CHASSIS
4 JACK

DATE OF RELEASE
8/28/2018

DRAWN BY
D SMITH

CHECKER
T CUPPY

DESIGN APPROVAL
G CRET

SIMILAR TO:

SIZE
C

SCALE
NONE

1090001

SHEET 3 OF 3